

Mobile rack

1342/A2

Mobile rack combinations for lower body table shields (type 312), removable top shields & head end shields (type 313)

A mobile rack that is available in two configurations as shown below. It's ideal for use in departments where space for wall storage racks is restricted or unsuitable. It occupies a small floor area (61 cm x 67 cm) when shields are parked and folded and has large lockable castors which include front guards to push aside any floor cables. Its heavy, easy rolling base safeguards against toppling even when fully loaded.



1342/A2/E*

Mobile rack for the convenient storage of:

- > 1 x Kenex head end shield (type 313)
*please specify model when ordering
- > 1 x Kenex lower body table shield (type 312)
- > 1 x set of three top shields (type 312, standard or reduced height)
- > Shielding not included
- > Height: 150 cm
- > Weight: 46 kg

1342/A2/F

Mobile rack for the convenient storage of:

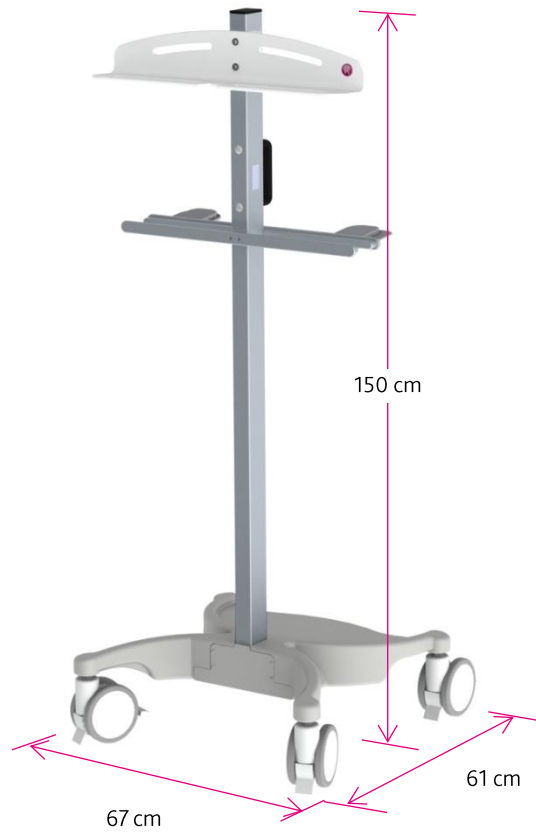
- > 2 x Kenex lower body table shields (type 312)
- > 2 x sets of three top shields (312, standard or reduced height)
- > Shielding not included
- > Height: 150 cm
- > Weight: 46 kg



Weights & dimensions

Weights and dimensions are subject to manufacturing tolerance

Weight: 46 kg



Supplementary products

Wall rack for lower body radiation shield: 312/W-LB

Effective storage for any size lower body radiation shield (type 312).



Wall rack for top shields: 312/W-TOP

Effective storage for removable top shields (type 312, standard or reduced height).



Please note, that shielding is not included and is shown here for display purposes only. Further information regarding these products is available via our website and downloadable data sheets.