

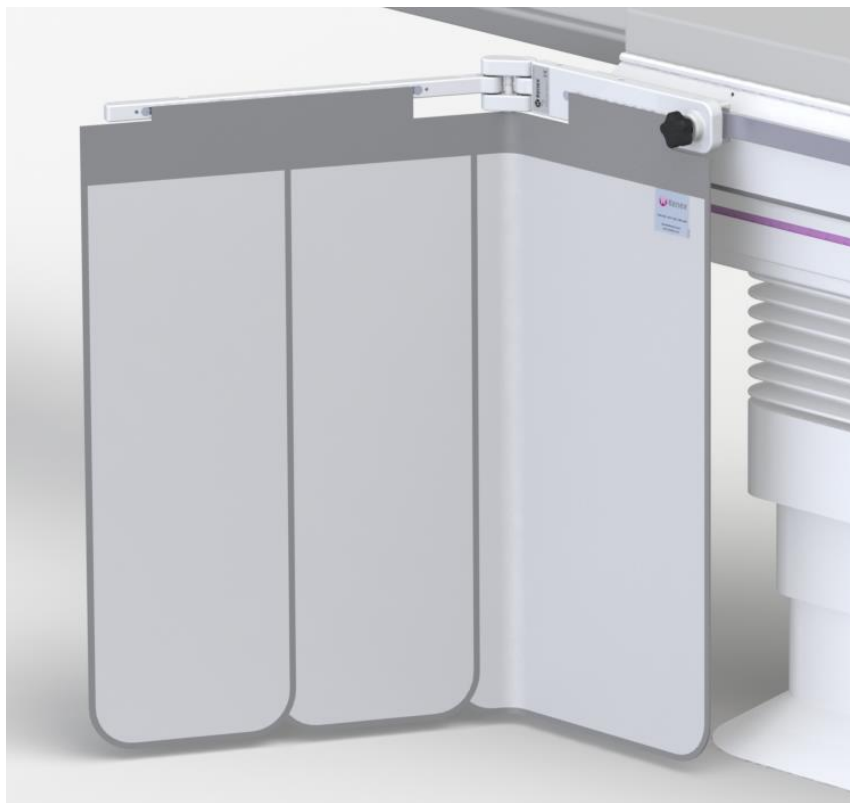
Lower body x-ray shield

312/E-005/P (for use on 25 mm or 29 mm high tableside rails)

Table mounted shield

(compatible with optional 57 cm & 27 cm wide detachable top shields)

This lower body shield substantially reduces exposure to scatter radiation emanating from the table or patient's body. The shield comprises a lightweight and durable structure, with a central friction maintaining pivot link and pivotal arm supporting a flexible lead curtain with overlapping panels. A 57 cm wide and a 27 cm semi-flexible top shield can be added to provide additional protection to the upper body.

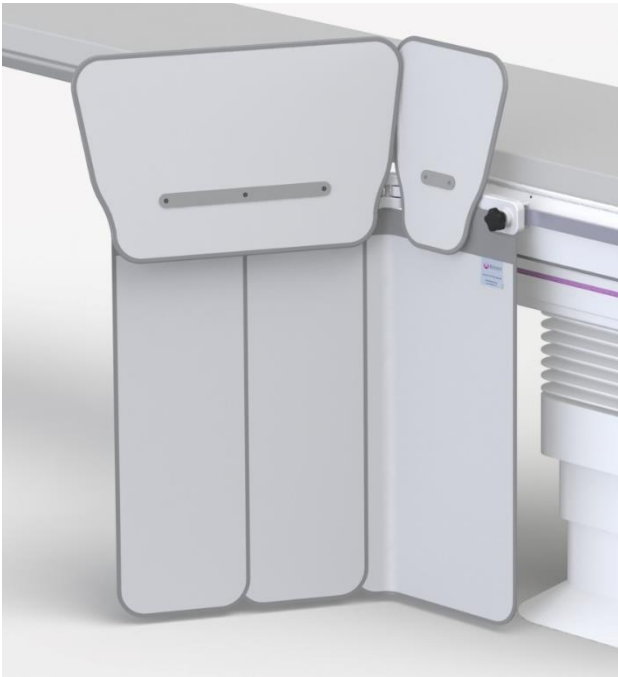


Features

- > The shield easily mounts to either side of the table allowing the pivotal arm to always face the head end.
- > A 29 cm wide attachment bracket slides onto a 25 mm high or 29 mm high tableside accessory rail (max. 11 mm thick).
- > The central pivot has an automatic wear adjustment facility ensuring accurate joint friction which prevents unwanted curtain movement even when the table is tilted in any direction.

Flexible x-ray protective curtain

- > The curtain forms a large (78 cm wide x 70 cm high) safe zone of occupancy for the Radiologist (or Cardiologist).
- > The curtain forms around an under table x-ray tube without impeding movement.
- > The curtains inner 0.5 mm lead equivalent layer is bonded to its outer covering. As the protective layer is not suspended separately in a cover (bag), it cannot tear or fall away inside unnoticed.
- > The pivotal arm and central pivot can swivel outwards from the table side to form a 49 cm wing.



Optional top shields

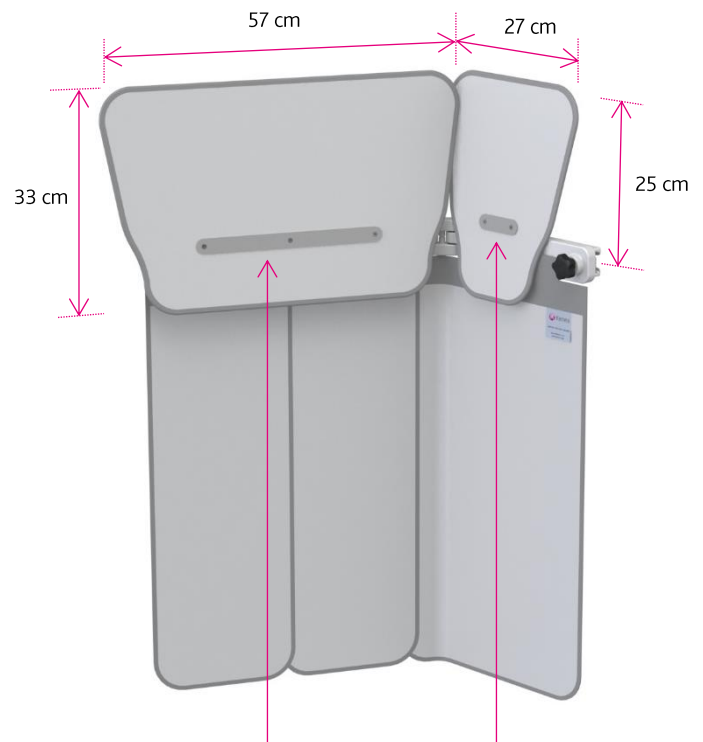
- > A 57 cm wide top (312/DS/3.32) can be attached to the pivotal arm to provide additional protection above the level of the table top.
- > A 27 cm wide top (312/DS/3.30) can be positioned adjacent to the 57 cm top.
- > The detachable tops overlap to provide protection to the upper body.
- > These semi-flexible tops stand above the table and can be moved towards the patient as required.
- > The tops can be quickly removed to aid patient access.
- > The x-ray attenuating material used in all tops has a lead equivalent of 0.5 mm.

Weights, dimensions & ordering information

Weights and dimensions are subject to manufacturing tolerance



312/E-005/P
Weight: 6.2 kg (approx.)



Optional top shield
312/DS/3.32
Weight: 2.2 kg

Optional top shield
312/DS/3.30
Weight: 0.9 kg