

92 cm wide lower body x-ray shield

312/E-010/P (for use on 25 mm or 28.6 mm tableside rails)

Table mounted shield with overlapping panels (compatible with optional 57 cm & 27 cm wide detachable top shields)

This lower body shield substantially reduces exposure to scatter radiation emanating from the table or patient's body. The shield comprises a lightweight and durable structure, with enhanced friction maintaining middle link and pivotal arm supporting a flexible lead curtain with overlapping panels. Optional semi-flexible top shields provide additional protection to the upper body.

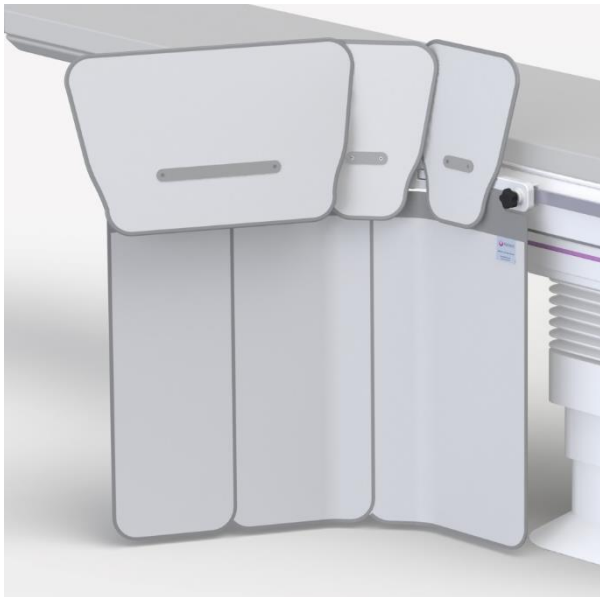


Features

- > The shield easily mounts to either side of the table allowing the pivotal arm to always face the head end.
- > A 29 cm wide attachment bracket slides onto a 25 mm or 28.6 mm high tableside rail (max. 11 mm thick).
- > The heavy duty middle link has an automatic wear adjustment facility ensuring accurate joint friction which prevents unwanted curtain movement even when the table is tilted in any direction.

Flexible x-ray protective curtain

- > The curtain forms a large (92 cm wide x 70 cm high) safe zone of occupancy for the Radiologist (or Cardiologist) and another person standing nearby.
- > The curtain forms around an under table x-ray tube without impeding movement.
- > The curtain's inner 0.5 mm lead equivalent layer is bonded to its outer covering. As the protective layer is not suspended separately in a cover (bag), it cannot tear or fall away inside unnoticed.
- > The pivotal arm and middle link can swivel outwards from the table side to form a 46 cm or 63 cm wing, or inwards to conform to the shape of the table.

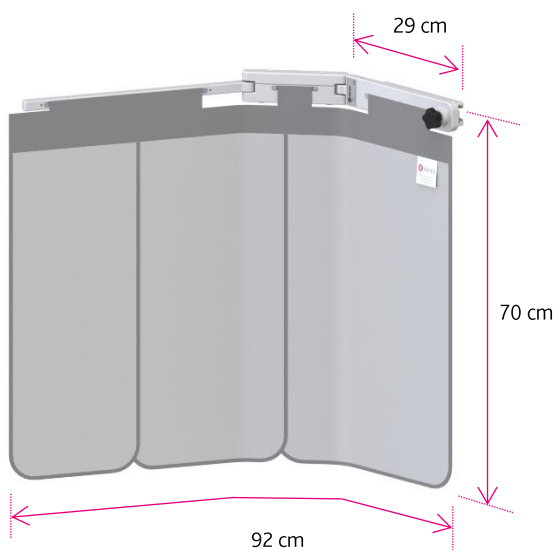


Optional top shields and storage

- > A 57 cm wide top (312/DS/3.32) can be attached to the pivotal arm to provide additional protection above the level of the table top.
- > Two 27 cm wide tops (312/DS/3.30) can be located onto the middle link and attachment bracket.
- > The detachable tops overlap to provide protection to the upper body.
- > These semi-flexible tops stand above the table and can be moved towards the patient as required.
- > Each can be quickly removed to aid patient access.
- > The x-ray attenuating material used in all tops has a lead equivalent of 0.5 mm.
- > Wall mounted or mobile storage racks:
 - 312/W-LB wall rack for 1 x lower body shield
 - 312/W-TOP wall rack for 1 x 57 cm and 2 x 27 cm wide tops
 - 1342/A2 mobile rack options

Weights, dimensions & ordering information

Weights and dimensions are subject to manufacturing tolerance



312/E-010
Weight: 7.5 kg

