

114 cm wide lower body x-ray shield

312/E-020 supplied with: -

1 off 25 mm x 10 mm x 35 cm long integrated accessory rail (fitted)

1 off 28.6 mm x 9.5 mm x 35 cm long integrated accessory rail

312/E-020/8 supplied with: -

1 off 25 mm x 7.7 mm x 35 cm long integrated accessory rail (fitted)

Table mounted shield with integrated accessory rail (compatible with optional 57 cm & 27 cm wide detachable top shields)

This lower body shield substantially reduces exposure to scatter radiation emanating from the table or patient's body. The shield comprises a lightweight and durable structure, with enhanced friction maintaining middle link and pivotal arm supporting a flexible lead curtain. Optional semi-flexible top shields provide additional protection to the upper body.

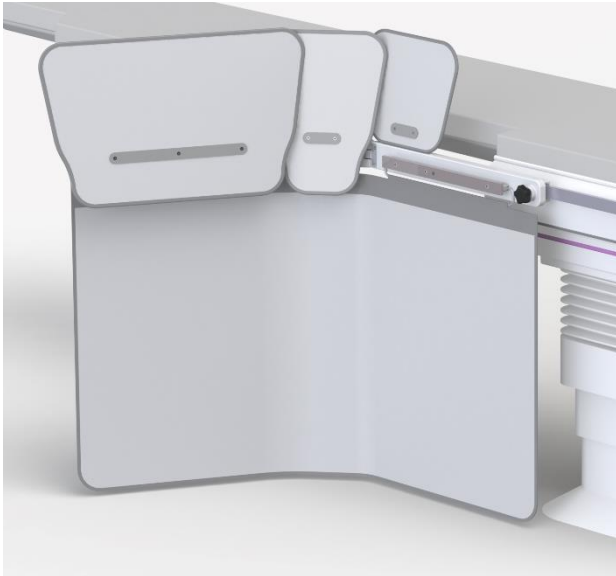


Features

- > The shield easily mounts to either side of the table allowing the pivotal arm to always face the head end.
- > A 51 cm wide attachment bracket slides onto a 25 mm or 28.6 mm high tableside rail (maximum 11 mm thick). The securing handle position allows the shield to overhang the rail end and be repositioned further along the table if required.
- > Equipment controls can be mounted on the large integrated rail and grouped with others close by on the adjacent tableside rail.

Flexible x-ray protective curtain

- > The curtain forms a large (114 cm wide x 70 cm high) safe zone of occupancy for the Radiologist (or Cardiologist) and another person standing nearby.
- > The curtain forms around an under table x-ray tube without impeding movement.
- > The curtain's inner 0.5mm lead equivalent layer is bonded to its outer covering. As the protective layer is not suspended separately in a cover (bag), it cannot tear or fall away inside unnoticed.
- > The pivotal arm and middle link can swivel outwards from the table side to form a 46 cm or 63 cm wing, or inwards to conform to the shape of the table.



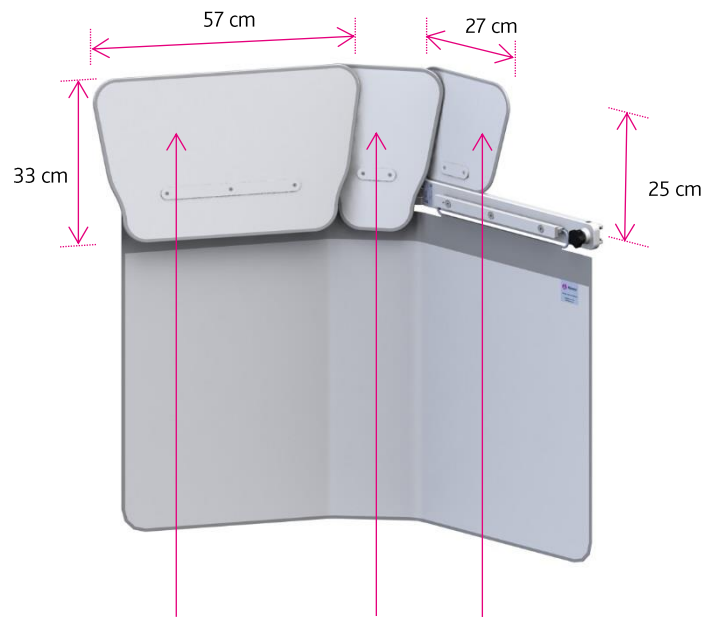
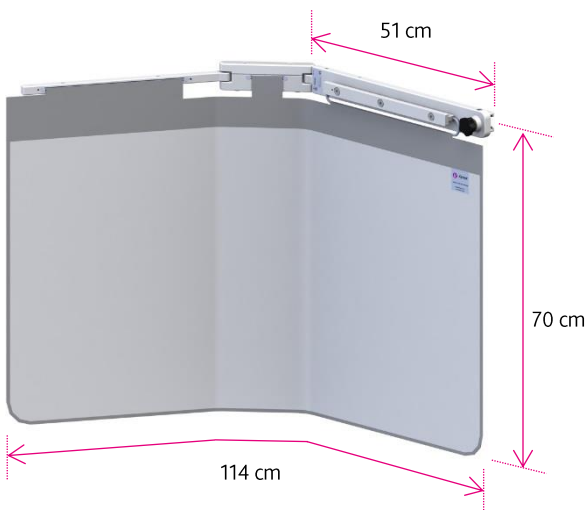
Optional top shields and storage

- > An optional 57 cm wide detachable top (312/DS/3.32) attaches to the pivotal arm and overlaps adjoining optional tops as shown, providing additional protection to the upper body.
- > A 27 cm wide optional top (312/DS/3.30) locates onto the central link, and another 27 cm wide optional top (312/DS/3.41) fits onto the attachment bracket.
- > These semi-flexible tops stand above the table and can be moved towards the patient as required.
- > Each can be quickly removed to aid patient access.
- > The x-ray attenuating material used in all tops has a lead equivalent of 0.5 mm.
- > Wall mounted or mobile storage racks:
312/W-LB wall rack for 1 x lower body shield
312/W-TOP wall rack for 1 x 57 cm and 2 x 27 cm wide tops
1342/A2 mobile rack options

Weights, dimensions & ordering information

Weights and dimensions are subject to manufacturing tolerance

Code: 312/E-020 & 020/8
Weight: 10 kg



Optional top shield	Optional top shield	Optional top shield
312/DS/3.32	312/DS/3.30	312/DS/3.41
Weight: 2.2 kg	Weight: 0.9 kg	Weight: 1 kg

