

# 114 cm wide lower body x-ray shield

312/E-022 supplied with: -

1 off 25 mm x 10 mm x 35 cm long integrated accessory rail (fitted)

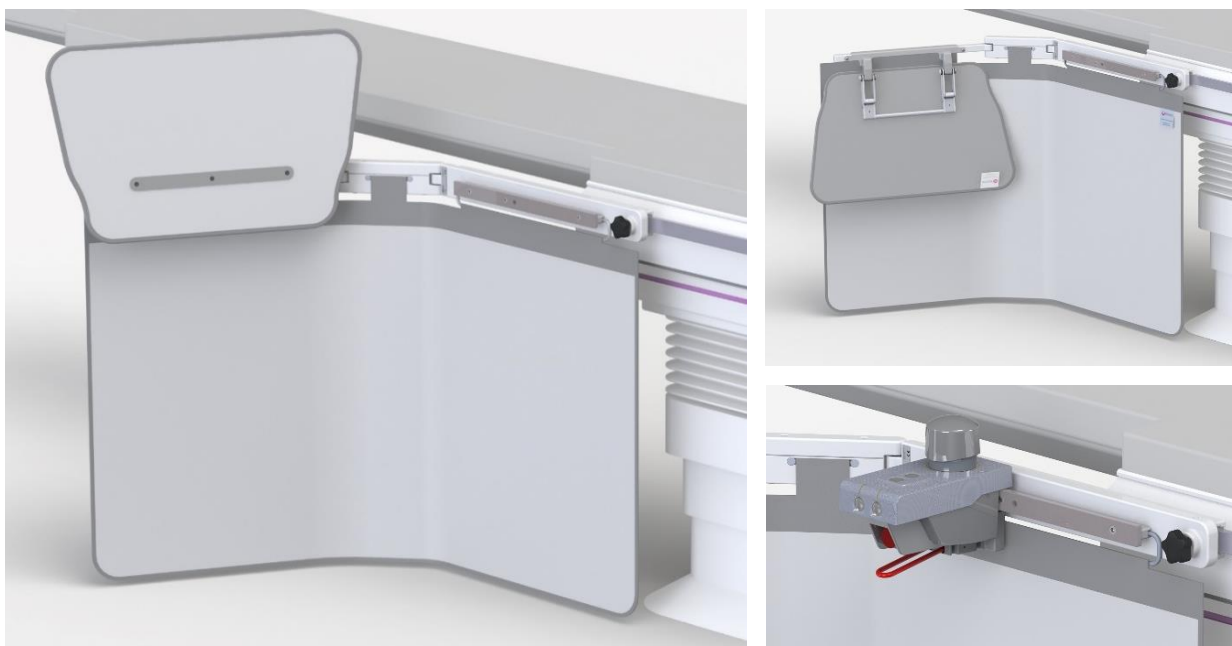
1 off 28.6 mm x 9.5 mm x 35 cm long integrated accessory rail

312/E-022/8 supplied with: -

1 off 25 mm x 7.7 mm x 35 cm long integrated accessory rail (fitted)

## Table mounted shield with integrated accessory rail & 57 cm wide fold-down top shield (compatible with two optional 27 cm wide detachable top shields)

This lower body shield substantially reduces exposure to scatter radiation emanating from the table or patient's body. The shield comprises a lightweight and durable structure, with enhanced friction maintaining middle link and pivotal arm supporting a flexible lead curtain. Optional semi-flexible top shields (both 27 cm wide) provide additional protection to the upper body.



### Features

- > The shield easily mounts to either side of the table allowing the pivotal arm to always face the head end.
- > A 51 cm wide attachment bracket slides onto a 25 mm or 28.6 mm high tableside rail (maximum 11 mm thick). The securing handle position allows the shield to overhang the rail end and be repositioned further along the table if required.
- > A 57 cm wide top shield can be quickly folded downwards to ease patient transfer and access.
- > Equipment controls can be mounted on the large integrated rail and grouped with others close by on the adjacent tableside rail.

### Flexible x-ray protective curtain

- > The curtain forms a large (114 cm wide x 70 cm high) safe zone of occupancy for the Radiologist (or Cardiologist) and another person standing nearby.
- > The curtain forms around an under table x-ray tube without impeding movement.
- > The curtains inner 0.5mm lead equivalent layer is bonded to its outer covering. As the protective layer is not suspended separately in a cover (bag), it cannot tear or fall away inside unnoticed.
- > The pivotal arm and middle link can swivel outwards from the table side to form a 46 cm or 63 cm wing, or inwards to conform to the shape of the table.



## Optional top shields and storage

- > Optional 27 cm wide detachable tops (as shown) overlap the 57 cm wide top to provide additional protection to the upper body.
- > Optional top 312/DS/3.30 locates onto the central link, and optional top 312/DS/3.41 fits onto the attachment bracket.
- > These semi-flexible tops stand above the table and can be moved towards the patient as required.
- > Each can be quickly removed to aid patient access.
- > The x-ray attenuating material used in all tops has a lead equivalent of 0.5 mm.
- > Wall mounted or mobile storage racks:  
312/W-LB wall rack for 1 x lower body shield  
312/W-TOP wall rack for 1 x 57 cm and 2 x 27 cm wide tops  
1342/A2 mobile rack options

## Weights, dimensions & ordering information

Weights and dimensions are subject to manufacturing tolerance

Code: 312/E-022 & 022/8  
Weight: 12.8 kg

