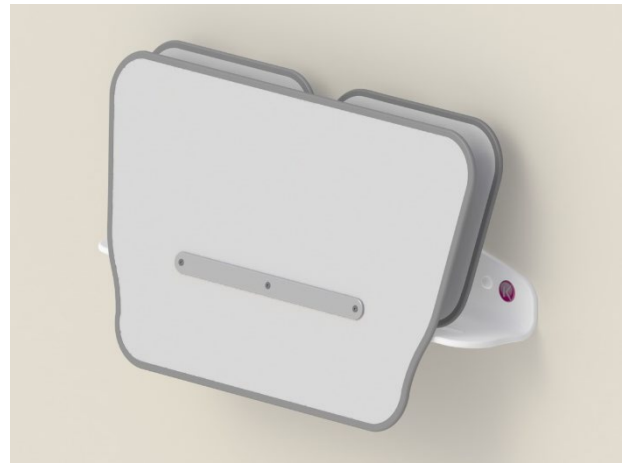
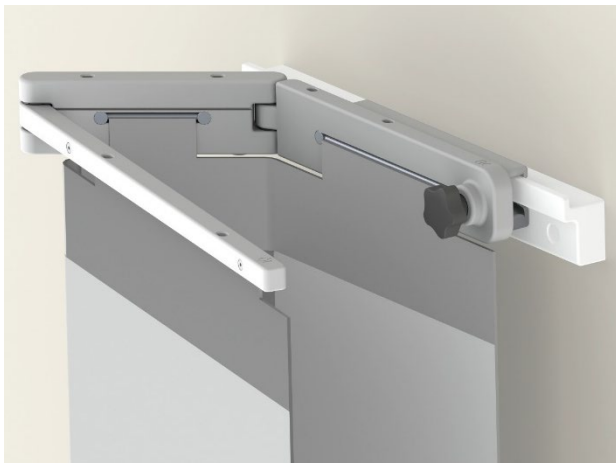


Wall rack set

312/W-LBT

Wall racks for lower body radiation shields and removable top shields

This wall rack set includes two wall racks, one for a lower body radiation shield and one for removable top shields. Please note, shielding is not included and is shown here for display purposes only.



Wall rack for lower body radiation shield

This wall rack provides a secure storage location for Kenex lower body radiation shields (type 312). The unique design utilises strong engineering plastic to effectively store a shield of any size.

Wall rack for top shields

This wall rack provides a secure storage location for the removable upper tops, used on Kenex lower body radiation shields (type 312).

Maximum configuration: 1 x 57 cm wide top & 2 x 27 cm wide tops, standard or reduced height.

Technical information:

Wall rack for lower body radiation shield

Any Kenex lower body radiation shield (type 312) can simply 'rotate onto' the wall rack. This docking feature minimises the required wall space, as the shield does not need to be slid on laterally.

Weights & dimensions

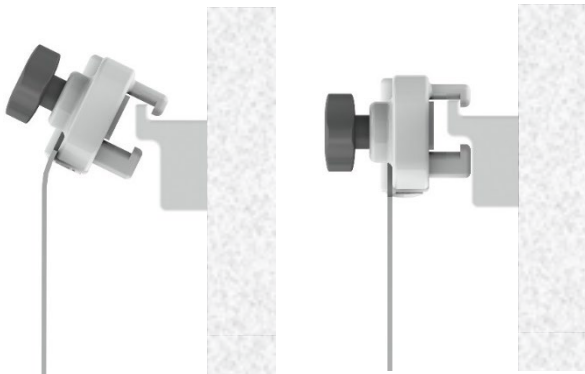
Width: 400 mm

Depth: 37 mm

Height: 55 mm

Weight: 0.8 kg

Wall fastenings are not included.



Technical information:

Wall rack for top shields

Any top shield used in conjunction with the Kenex range of lower body radiation shields (type 312), easily drops into slots machined into this strong, plastic wall rack. The compact size enables the tops to be located within a small area on a wall.

Weights & dimensions

Width: 600 mm

Depth: 108 mm

Height: 108 mm

Weight: 1 kg

Wall fastenings are not included.



Supplementary products

Mobile racks for table shielding: 1342/A2

Effective mobile storage combinations for lower body table shields (type 312), removable top shields (type 312) and head end shields (type 313).

Please note, that shielding is not included and is shown here for display purposes only. Further information regarding these products is available via our website and downloadable data sheets.



1342/A2/E



1342/A2/F