



# Monitor suspension systems

333/1/510 (Suspension options for single monitors weighing between 5 kg & 10 kg)

## An effective and secure monitor suspension system

The supplied VESA monitor bracket securely attaches to a monitor weighing between 5 kg & 10 kg. The bracket connects to a two-part suspension arm, which in turn can be supported by either a wall bracket, or ceiling column. Standard ceiling column length is 80 cm (see over – other lengths are available). The ceiling column can be attached to a ceiling track as shown below, or statically mounted to the ceiling. Optional installation aid #300/P/004 can be used to attach a column to Unistrut rails (or equivalent) in a suspended ceiling (see over).



## Ordering information

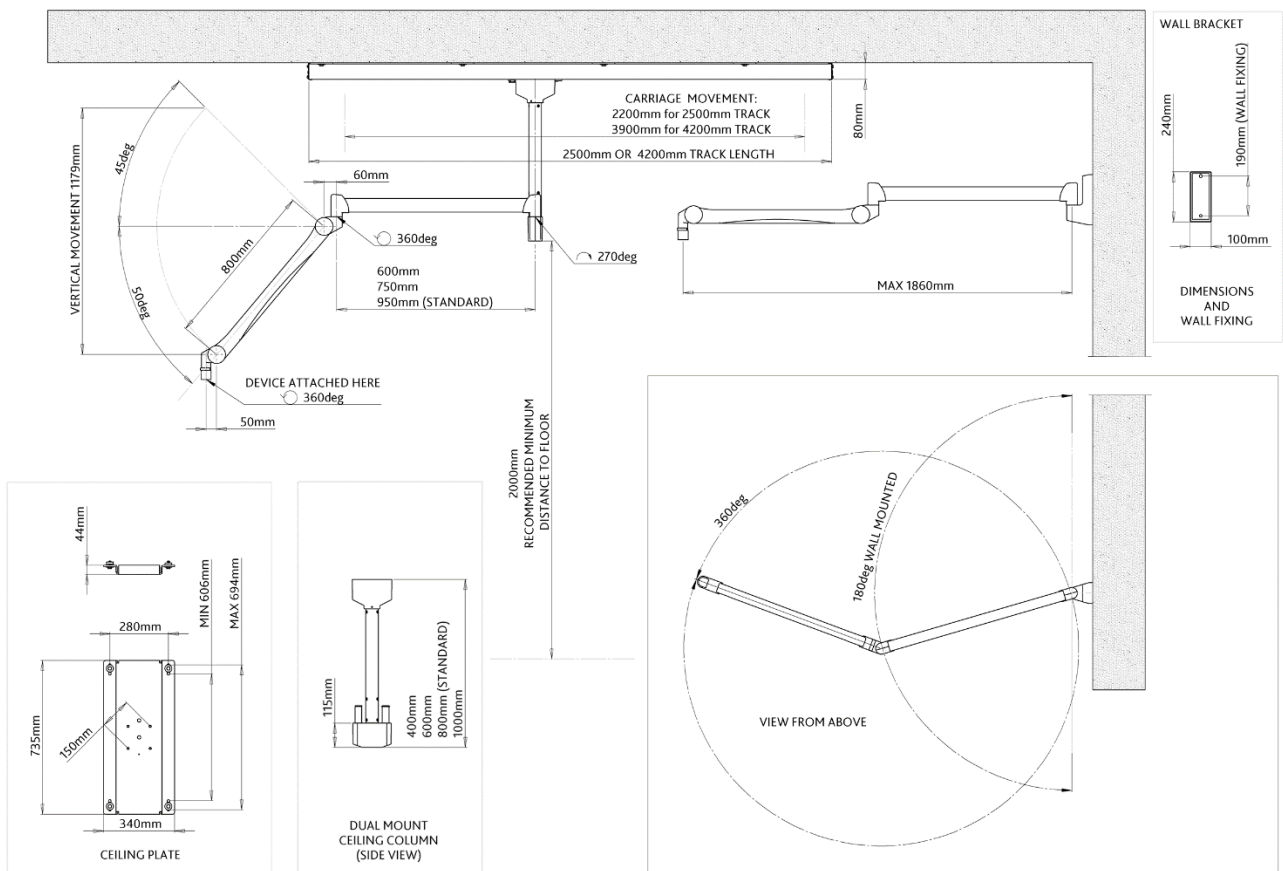
**333/1/510/001 – Ceiling mounted (static)**  
Monitor holder, suspension arm & fixed ceiling column

**333/1/510/0031 – Ceiling track mounted**  
Monitor holder, suspension arm, ceiling column & 250 cm ceiling track & carriage

**333/1/510/005 – Wall mounted**  
Monitor holder, suspension arm & wall bracket

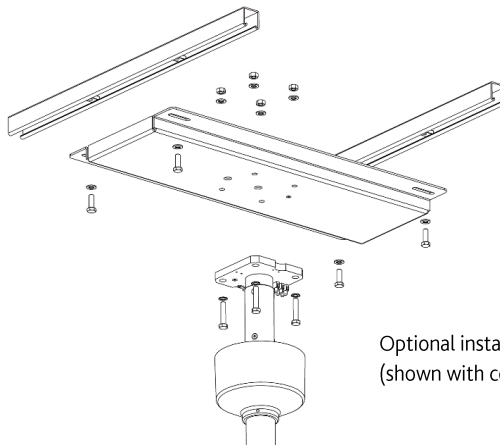
**333/1/510/006 – For an existing system**  
Monitor holder & suspension arm (for installation to an existing wall bracket or ceiling column)

## Technical specification



## Weights

- Dual mount ceiling column (80 cm) **11 kg**
- Suspension arm **9 kg**
- Wall bracket **2 kg**
- Ceiling track **40 kg**
- Installation aid - Anchorage plate (#300/P/004) **15 kg**



Optional installation aid: Ceiling plate #300/P/004 (shown with ceiling rails and ceiling column)