

# Overhead suspended lead glass shield

350/45-001 (40 cm x 50 cm eyes & thyroid shield, two-part suspension arm & 80 cm ceiling column)

## Static mounted upper body protection

This 40 cm x 50 cm shield uses 2.2 mm equivalent lead glass (@150 kV) for effective protection of the eyes and thyroid. The robust yoke assembly provides stability and protection to the window. The shield is fitted with a 0.5 mm Pb equivalent flexible curtain which is suspended beneath to further reduce scatter radiation.

## 350 shield, 40 cm x 50 cm

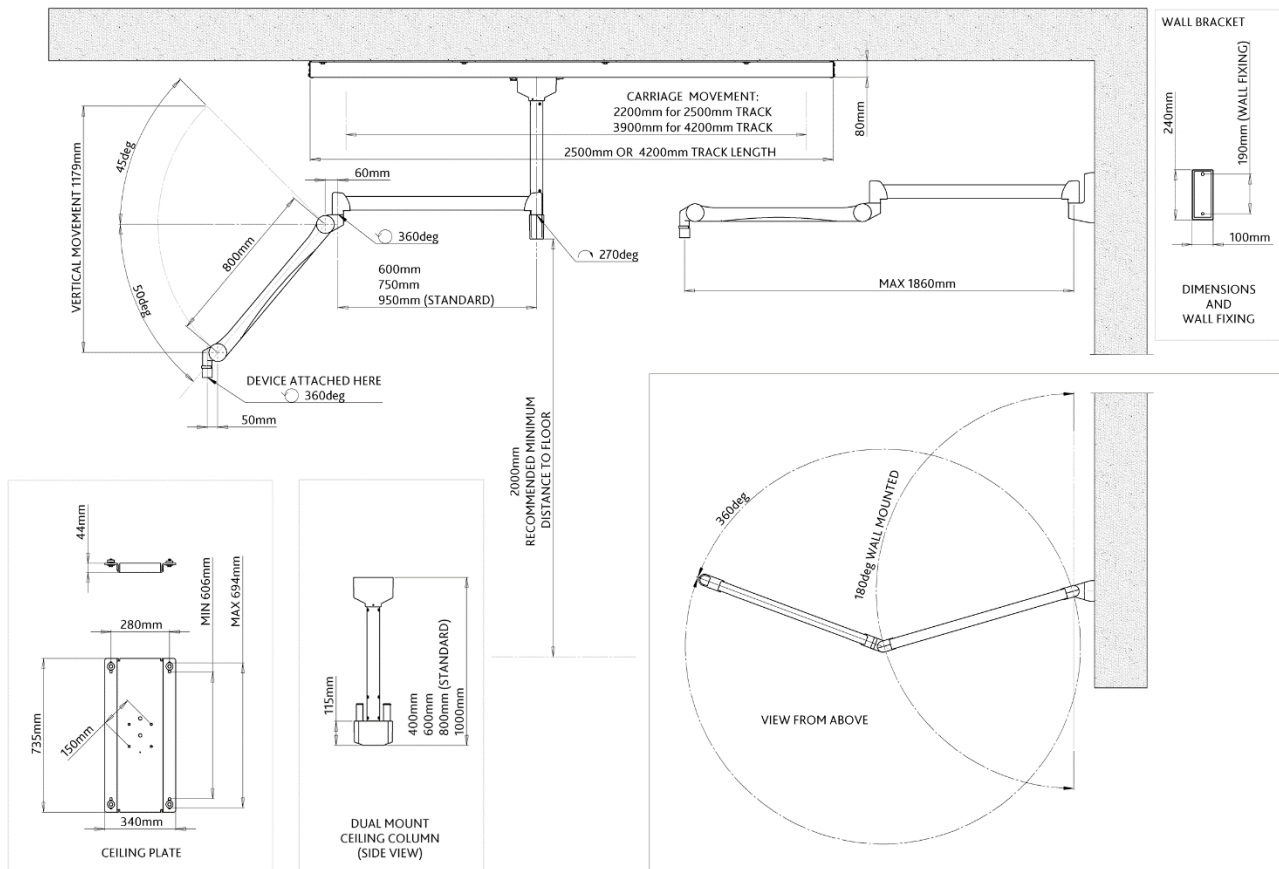
- > Protection for the eyes and thyroid.
- > Landscape, 40 cm x 50 cm transparent shield with 2.2 mm equivalent lead glass (@150 kV).
- > Suspended, 0.5 mm Pb equivalent flexible curtain. 20 cm in depth.
- > Pivots on the central horizontal axis.

## Stationary system

- > Connects to a two-part suspension arm, supported by an 80 cm ceiling column (see over – other lengths are available).
- > Optional installation aid #300/P/004 can be used to attach a column to Unistrut rails (or equivalent) in a suspended ceiling (see over).
- > Ceiling Column can be statically mounted to the ceiling or attached to a moveable carriage in a ceiling track (see over).



## Technical information



## Equipment weights & part numbers

### 350/45-001

40 x 50 cm type 350 shield assembly: **12.5 kg**

Suspension arm: **10.4 kg**

80 cm dual mount ceiling column: **12.5 kg**

#### Optional equipment:

Dual mount ceiling column:

40 cm (#300/COLUMN/40): **10 kg**

60 cm (#300/COLUMN/60): **11.2 kg**

100 cm (#300/COLUMN/100): **14.7 kg**

Installation aids:

Ceiling mounting plate (#300/P/004): **14.8 kg**

Ceiling anchorage mount (#300/P/012): **37 kg**

Ceiling void installation (#300/P/014): **7.8 kg**

Ceiling track & carriage:

2.5 m (#3001/TC/250): **50 kg**

4.2 m (#3001/TC/420): **72 kg**

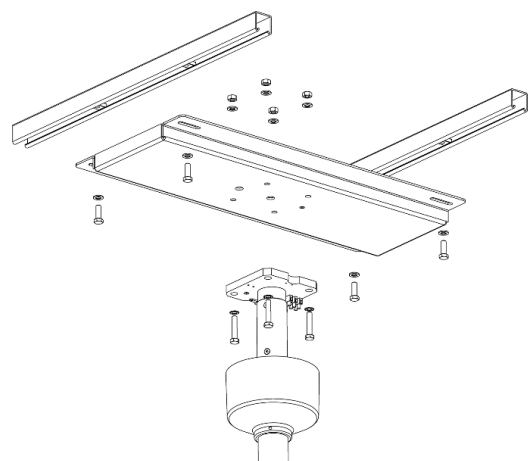
Track cable management:

2.5 m (#3001/TC/250/EC): **1.3 kg**

4.2 m (#3001/TC/420/EC): **1.7 kg**

Additional track carriage:

For use in 2.5 m or 4.2 m track (#3001/3.25): **4.6 kg**



Ceiling plate #300/P/004

(Shown with ceiling rails and ceiling column)