

# 350 overhead suspended shield & LED 300DF SC lamp

350/45/LED3DF-001 (ceiling mounted, 40 cm x 50 cm lead glass shield & LED 300DF SC surgical lamp)

## Static mounted upper body protection

This 40 cm x 50 cm shield uses 2.2 mm equivalent lead glass (@150 kV) for effective protection of the eyes and thyroid. The robust yoke assembly provides stability and protection to the window. The shield is fitted with a 0.5 mm Pb equivalent flexible curtain which is suspended beneath to further reduce scatter radiation. The LED 300DF SC lamp is a single colour surgical light with a light output of 160,000 lux.

## 350 x-ray shield, 40 cm x 50 cm

- > Protection for the eyes and thyroid.
- > Landscape, 40 cm x 50 cm transparent shield with 2.2 mm equivalent lead glass (@150 kV).
- > Suspended, 0.5 mm Pb equivalent flexible curtain. 20 cm in depth.
- > Pivots on the central horizontal axis.

## LED 300DF SC single colour surgical lamp

- > Light intensity at 1 metre: 160,000 Lux.
- > Colour rendering index  $R_a$  96.
- > Light field size: 19 cm to 26 cm.
- > Electronic dimming.
- > Colour temperature: 4500 Kelvin.
- > Temperature increase at head area: 0.5°C.
- > Total power consumption: max 89W.
- > Light source: 36 LED's.
- > Life span of 60,000 hours.
- > Diameter of lamp head: 55 cm.
- > Detachable sterilizable handle included.

## Stationary system

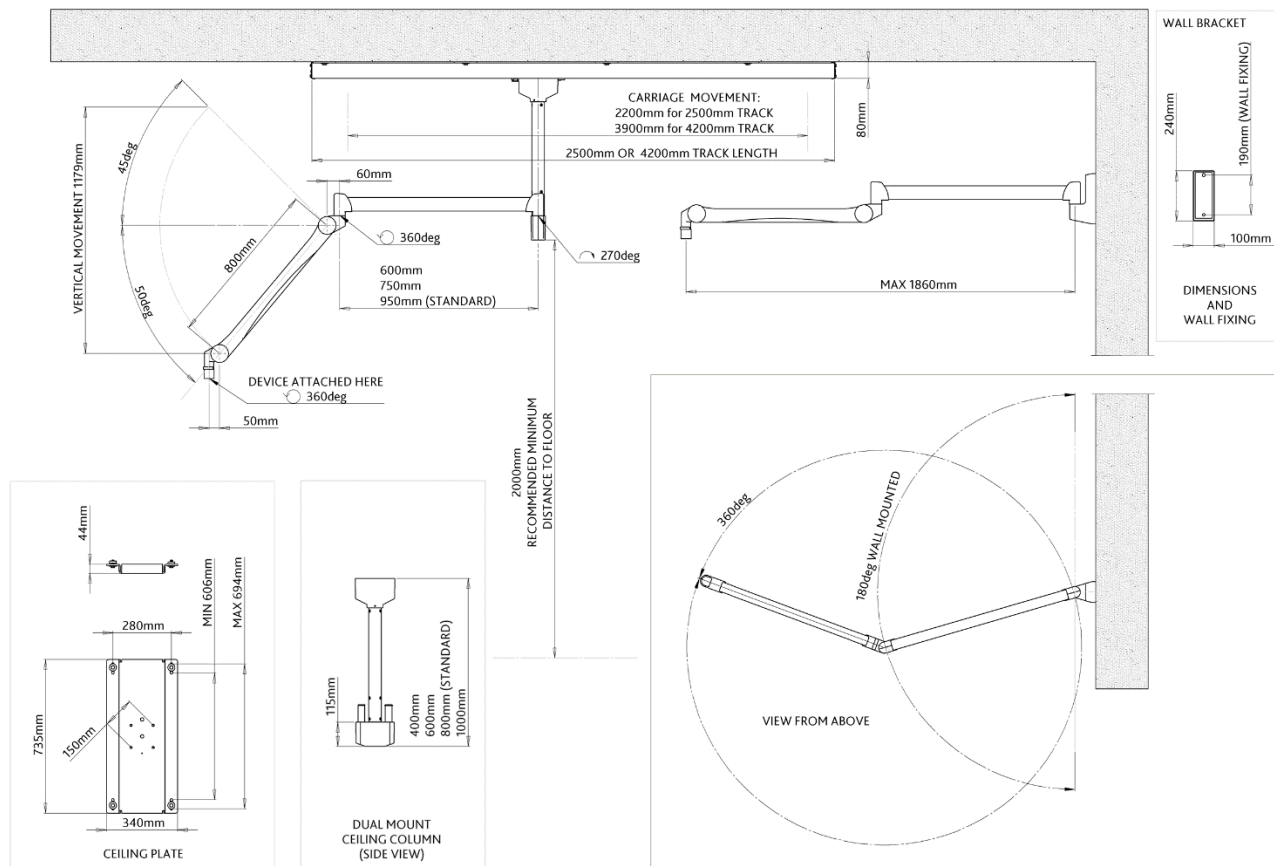
- > Consisting of:
  - 80 cm ceiling column\*
  - 2 x two-part suspension arm
  - 40 x 50 cm shield
  - LED 300DF SC lamp
- > Optional installation aid #300/P/004 can be used to attach a column to Unistrut rails (or equivalent) in a suspended ceiling (see over).
- > Ceiling column can be statically mounted to the ceiling or attached to a moveable carriage in a ceiling track (see over).

\* See over - other lengths available.



350/45/LED3DF-001

## Technical specification



## Equipment weights & part numbers

### 350/45/LED3DF-001

Power supply in housing

LED 300DF SC lamp head: **12 kg**

40 cm x 50 cm lead glass shield: **12.5 kg**

2 x Suspension arm: **10.4 kg** (each)

80 cm dual mount ceiling column: **12.5 kg**

### Optional equipment:

Dual mount ceiling column:

40 cm (#300/COLUMN/40): **10 kg**

60 cm (#300/COLUMN/60): **11.2 kg**

100 cm (#300/COLUMN/100): **14.7 kg**

Installation aids:

Ceiling mounting plate (#300/P/004): **14.8 kg**

Ceiling anchorage mount (#300/P/012): **37 kg**

Ceiling void installation (#300/P/014): **7.8 kg**

Ceiling track & carriage:

2.5 m (#3001/TC/250): **50 kg**

4.2 m (#3001/TC/420): **72 kg**

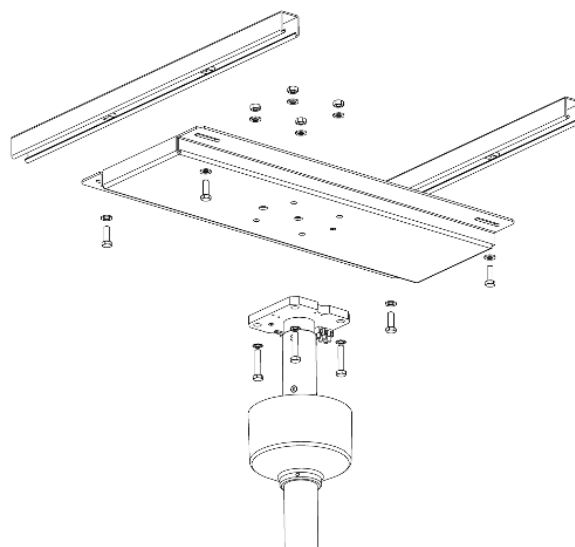
Track cable management:

2.5 m (#3001/TC/250/EC): **1.3 kg**

4.2 m (#3001/TC/420/EC): **1.7 kg**

Additional track carriage:

For use in 2.5 m or 4.2 m track (#3001/3.25): **4.6 kg**



Ceiling mounting plate #300/P/004  
(Shown with ceiling rails and ceiling column)