

# Overhead suspended lead acrylic shield

351/45-001 (40 cm x 50 cm shield, two-part suspension arm & 80 cm ceiling column)

## Static mounted upper body protection

This 40 cm x 50 cm shield uses 0.5 mm equivalent lead acrylic (@150 kV) for effective protection to the upper body. The robust yoke assembly gives stability and protection to the window and provides effective positioning over the patient. An optional 0.5 mm Pb equivalent curtain can be added to further reduce exposure to scatter emanating from the patient.

## 351 shield, 40 cm x 50 cm

- > Landscape, 40 cm x 50 cm shield.
- > 0.5 mm equivalent lead acrylic (@150 kV).
- > Pivots on the central horizontal axis.
- > Optional 0.5 mm Pb equivalent flexible curtain, fitted across the 50 cm lower profile (351/LR/50). 13 cm in depth.

## Stationary system

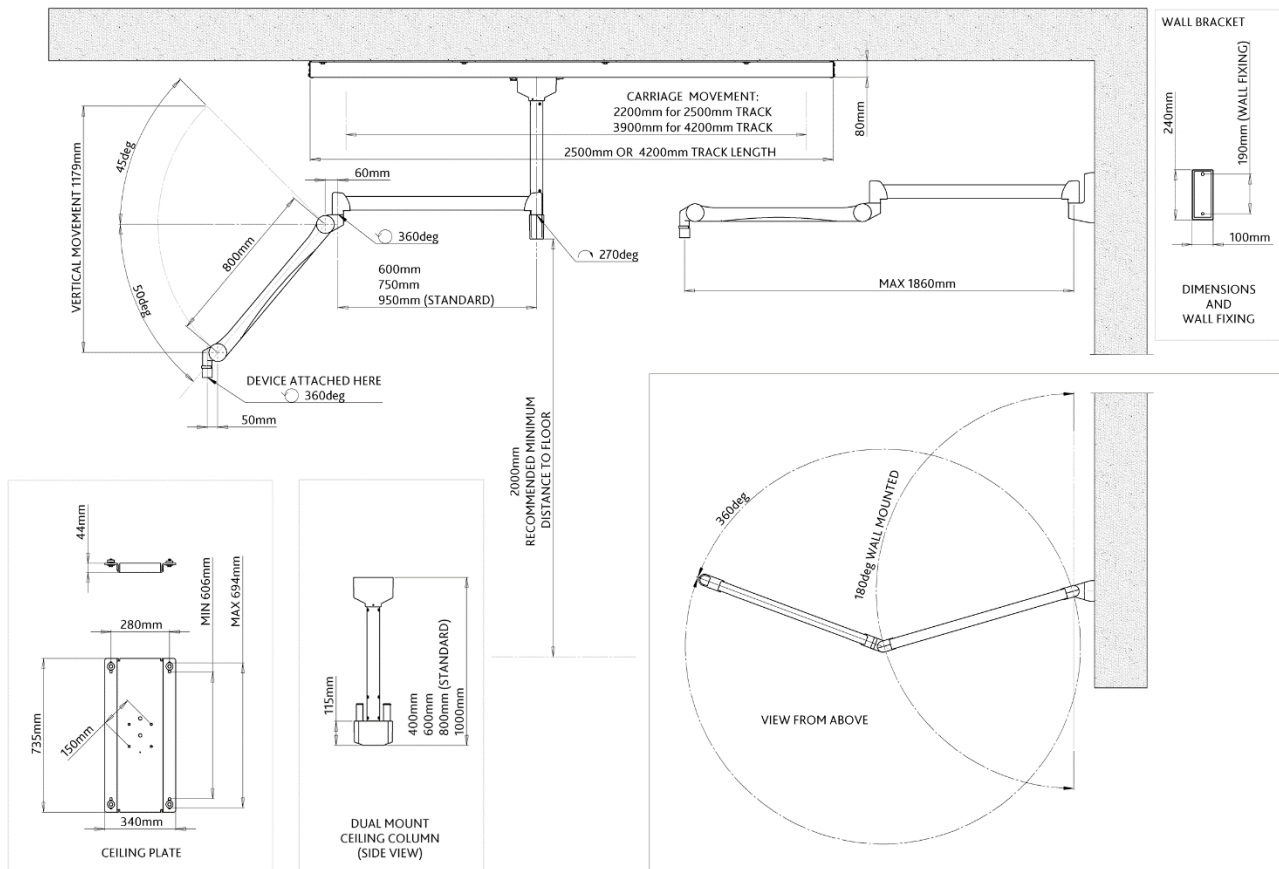
- > Connects to a two-part suspension arm, supported by an 80 cm ceiling column (see over – other lengths are available).
- > Optional installation aid #300/P/004 can be used to attach a column to Unistrut rails (or equivalent) in a suspended ceiling (see over).
- > Ceiling Column can be statically mounted to the ceiling or attached to a moveable carriage in a ceiling track (see over).



Optional curtain: 351/LR/50

351/45-001

## Technical information



## Equipment weights & part numbers

### 351/45-001

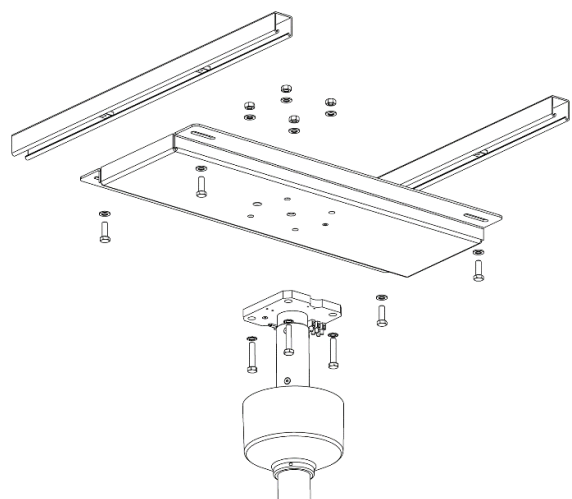
40 x 50 cm type 351 shield assembly: **6.8 kg**

Suspension arm: **10.4 kg**

80 cm dual mount ceiling column: **12.5 kg**

### Optional equipment:

Dual mount ceiling column:	40 cm (#300/COLUMN/40): <b>10 kg</b>
	60 cm (#300/COLUMN/60): <b>11.2 kg</b>
	100 cm (#300/COLUMN/100): <b>14.7 kg</b>
Installation aids:	Ceiling mounting plate (#300/P/004): <b>14.8 kg</b>
	Ceiling anchorage mount (#300/P/012): <b>37 kg</b>
	Ceiling void installation (#300/P/014): <b>7.8 kg</b>
Ceiling track & carriage:	2.5 m (#3001/TC/250): <b>50 kg</b>
	4.2 m (#3001/TC/420): <b>72 kg</b>
Track cable management:	2.5 m (#3001/TC/250/EC): <b>1.3 kg</b>
	4.2 m (#3001/TC/420/EC): <b>1.7 kg</b>
Additional track carriage:	For use in 2.5 m or 4.2 m track (#3001/3.25): <b>4.6 kg</b>



Ceiling plate #300/P/004  
 (Shown with ceiling rails and ceiling column)