

351 overhead suspended shield & LED 130F lamp

351/P68/LED130F-001 (ceiling mounted, 60 cm x 80 cm lead acrylic shield with patient contour cut-out & LED 130F examination lamp)

Static mounted upper body protection

This 60 cm x 80 cm shield uses 0.5 mm equivalent lead acrylic (@150 kV) for effective protection to the upper body. The robust yoke assembly provides stability and protection to the window. The corner cut out can be effectively positioned over the patient with an optional 0.5 mm Pb equivalent curtain added to further reduce exposure to scatter radiation. The LED 130F lamp is a compact yet practical examination light with a light output of 70,000 lux.

351 x-ray shield, 60 cm x 80 cm with corner cut-out

- > 0.5 mm equivalent lead acrylic (@150 kV).
- > Landscape shield that pivots on the central horizontal axis.
- > Optional: 0.5 mm Pb equivalent flexible curtain fitted across the 80 cm lower profile (351/P/LR).

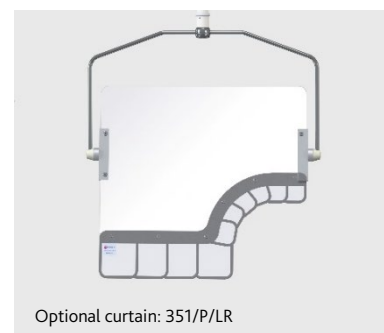
LED 130F examination lamp

- > Light intensity at 1 metre: 70,000 Lux.
- > Colour rendering index R_a 96.
- > Focusable light field size: 13 cm to 19 cm.
- > Electronic light intensity control at lamp head: 50% to 100%.
- > Colour temperature: 4500 Kelvin.
- > Temperature increase at head area: 0.5°C.
- > Total power consumption: 16 W.
- > Light source: 19 LED's.
- > Life span of over 60,000 hours.
- > Diameter of lamp head: 33 cm.
- > Detachable sterilizable handle included.

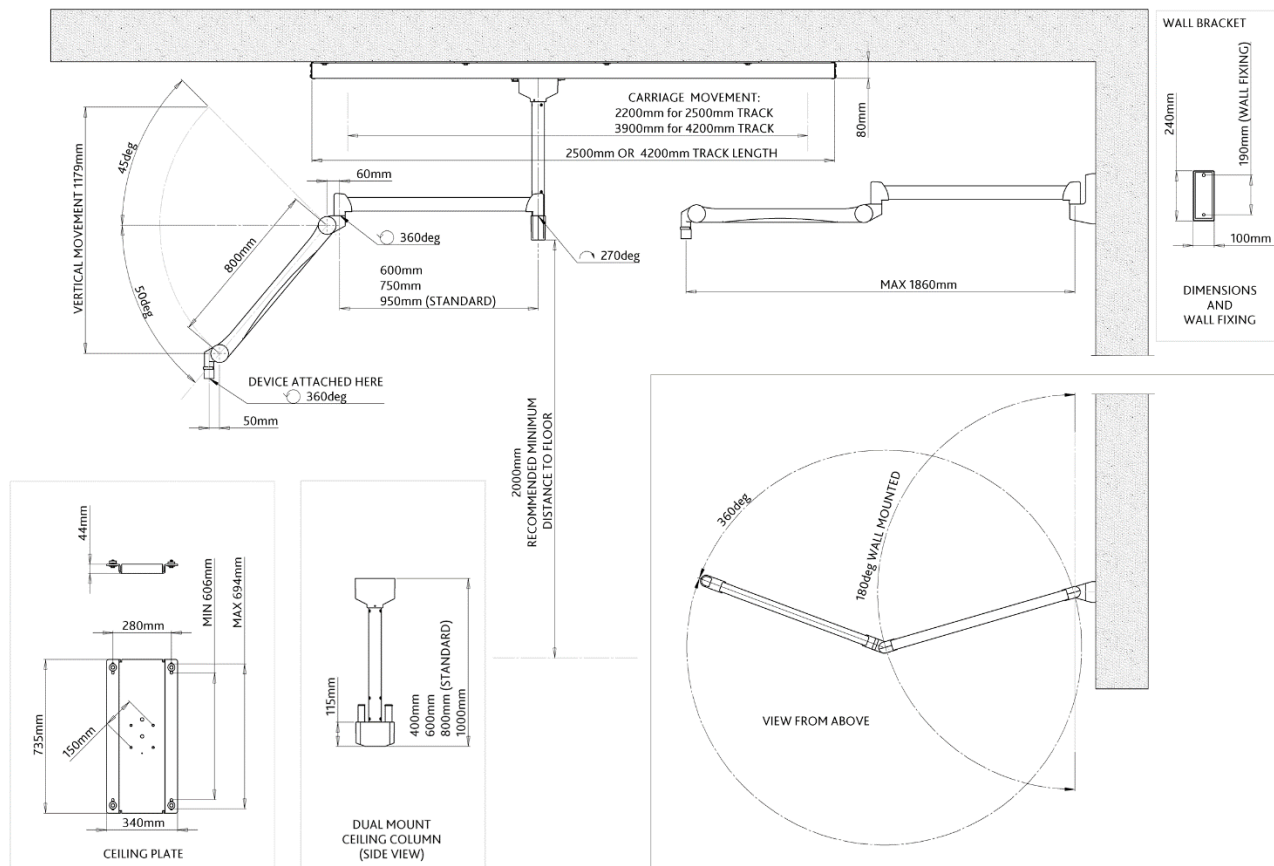
Stationary system

- > Consisting of:
 - 80 cm ceiling column*
 - 2 x two-part suspension arm
 - 60 x 80 cm shield with corner cut-out
 - LED 130F lamp
- > Optional installation aid #300/P/004 can be used to attach a column to Unistrut rails (or equivalent) in a suspended ceiling (see over).
- > Ceiling column can be statically mounted to the ceiling or attached to a moveable carriage in a ceiling track (see over).

* See over - other lengths available.



Technical specification



Equipment weights & part numbers

351/P68/LED130F-001

Power supply in housing

LED 130F lamp head: **2.4 kg**

60 x 80 cm type 351 shield assembly with corner cut-out: **10.3 kg**

2 x Suspension arm: **10.4 kg** (each)

80 cm dual mount ceiling column: **12.5 kg**

Optional equipment:

Dual mount ceiling column:

40 cm (#300/COLUMN/40): **10 kg**

60 cm (#300/COLUMN/60): **11.2 kg**

100 cm (#300/COLUMN/100): **14.7 kg**

Installation aids:

Ceiling mounting plate (#300/P/004): **14.8 kg**

Ceiling anchorage mount (#300/P/012): **37 kg**

Ceiling void installation (#300/P/014): **7.8 kg**

Ceiling track & carriage:

2.5 m (#3001/TC/250): **50 kg**

4.2 m (#3001/TC/420): **72 kg**

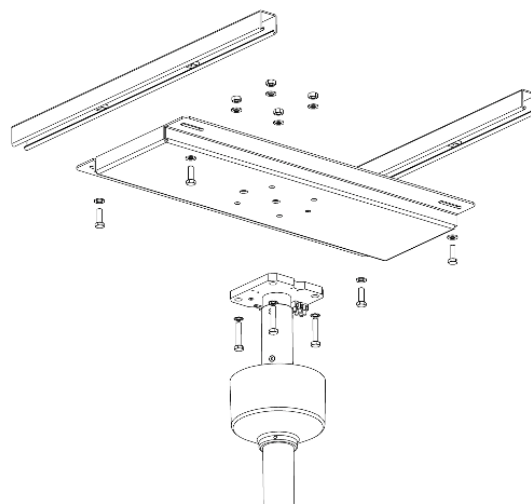
Track cable management:

2.5 m (#3001/TC/250/EC): **1.3 kg**

4.2 m (#3001/TC/420/EC): **1.7 kg**

Additional track carriage:

For use in 2.5 m or 4.2 m track (#3001/3.25): **4.6 kg**



Ceiling mounting plate #300/P/004
(Shown with ceiling rails and ceiling column)