

Overhead suspended lead acrylic shield

351/P/68-001 (60 cm x 80 cm shield with patient contour corner cut-out, two-part suspension arm & 80 cm ceiling column)

Static mounted upper body protection

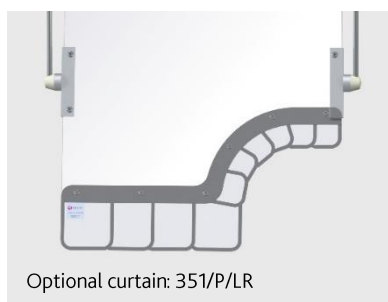
This 60 cm x 80 cm shield uses 0.5 mm equivalent lead acrylic (@150 kV) for effective protection to the upper body. The robust yoke assembly provides stability and protection to the window. The corner cut-out can be effectively positioned over the patient with an optional 0.5 mm Pb equivalent curtain added to further reduce exposure to scatter radiation.

351 shield, 60 cm x 80 cm

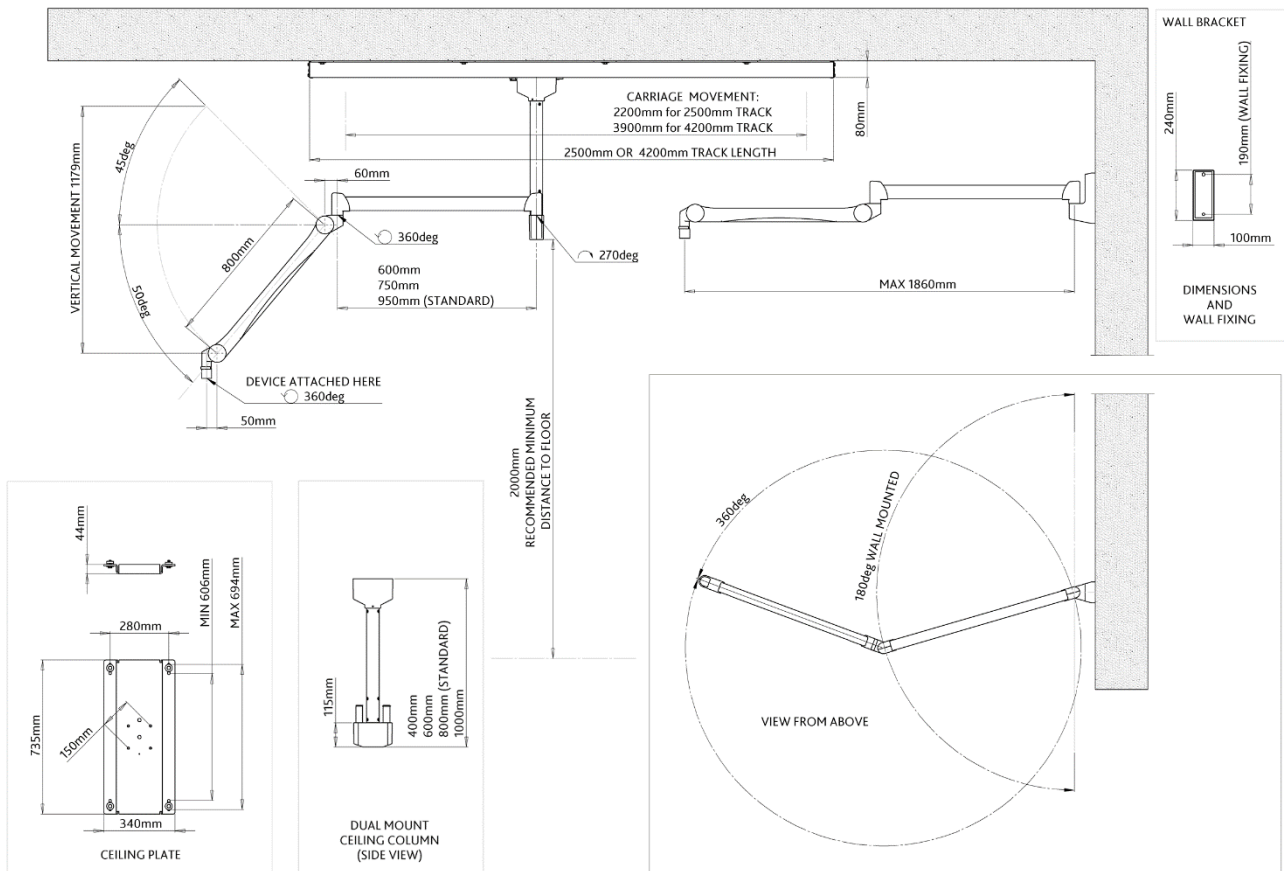
- > Landscape, 60 cm x 80 cm shield with patient contour corner cut-out.
- > 0.5 mm equivalent lead acrylic (@150 kV).
- > Pivots on the central horizontal axis.
- > Optional 0.5 mm Pb equivalent flexible curtain, fitted across the 80 cm lower profile (351/P/LR).

Stationary system

- > Connects to a two-part suspension arm, supported by an 80 cm ceiling column (see over – other lengths are available).
- > Optional installation aid #300/P/004 can be used to attach a column to Unistrut rails (or equivalent) in a suspended ceiling (see over).
- > Ceiling Column can be statically mounted to the ceiling or attached to a moveable carriage in a ceiling track (see over).



Technical information



Equipment weights & part numbers

351/P/68-001

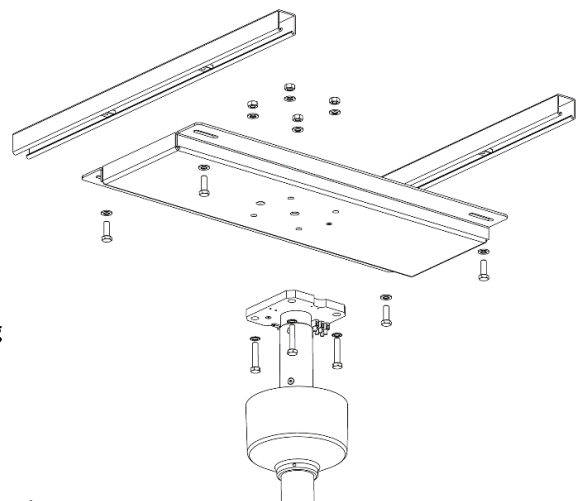
60 x 80 cm type 351 shield assembly with corner cut-out: **10.3 kg**

Suspension arm: **10.4 kg**

80 cm dual mount ceiling column: **12.5 kg**

Optional equipment:

Dual mount ceiling column:	40 cm (#300/COLUMN/40): 10 kg
	60 cm (#300/COLUMN/60): 11.2 kg
	100 cm (#300/COLUMN/100): 14.7 kg
Installation aids:	Ceiling mounting plate (#300/P/004): 14.8 kg
	Ceiling anchorage mount (#300/P/012): 37 kg
	Ceiling void installation (#300/P/014): 7.8 kg
Ceiling track & carriage:	2.5 m (#3001/TC/250): 50 kg
	4.2 m (#3001/TC/420): 72 kg
Track cable management:	2.5 m (#3001/TC/250/EC): 1.3 kg
	4.2 m (#3001/TC/420/EC): 1.7 kg
Additional track carriage:	For use in 2.5 m or 4.2 m track (#3001/3.25): 4.6 kg



Ceiling plate #300/P/004
(Shown with ceiling rails and ceiling column)