

Overhead suspended lead acrylic shield

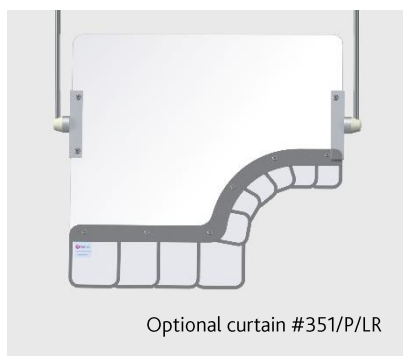
351/P/68-001 (60 cm x 80 cm, 0.5 mm Pb equivalent shield)

Effective upper body protection

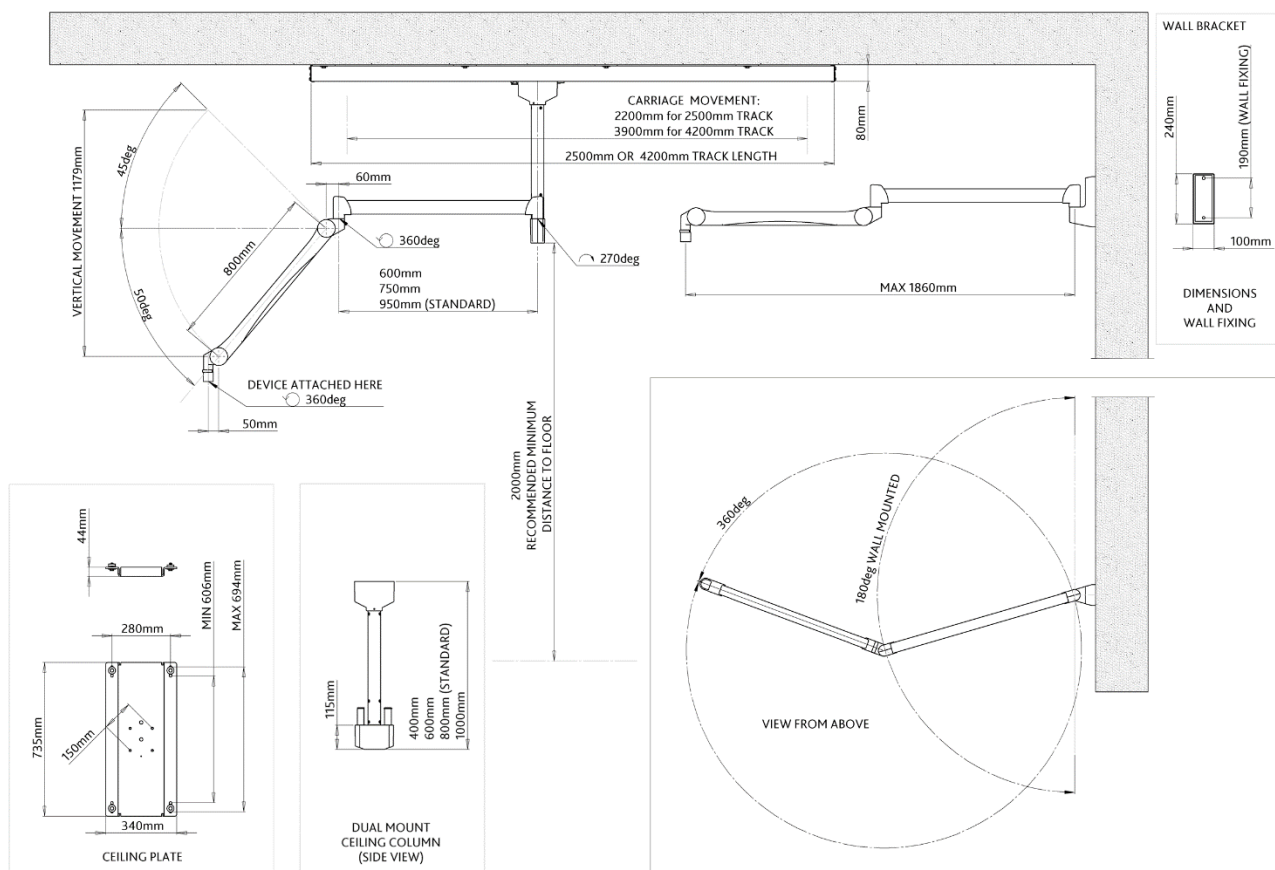
This 60 cm x 80 cm shield uses 0.5 mm equivalent lead acrylic (@150 kV) for effective protection to the upper body. The robust yoke assembly provides stability and protection to the window. The shield's corner cut-out is easily positioned over the patient, and can be optionally fitted with a 0.5 mm Pb equivalent flexible curtain which can be added to further reduce scatter.

Key features

- > 60 cm x 80 cm shield.
- > 0.5 mm equivalent lead acrylic (@150 kV).
- > Corner cut-out for easy positioning over the patient.
- > Optionally 0.5 mm Pb equivalent flexible curtain available.
- > Connects to a two-part suspension arm, supported by a ceiling column. Standard ceiling column length is 80 cm (see over – other lengths are available).
- > Ceiling column can be statically mounted to the ceiling or attached to a movable carriage in a ceiling track.
- > Optional installation aid #300/P/004 can be used to attach a column to Unistrut rails (or equivalent) in a suspended ceiling (see over).

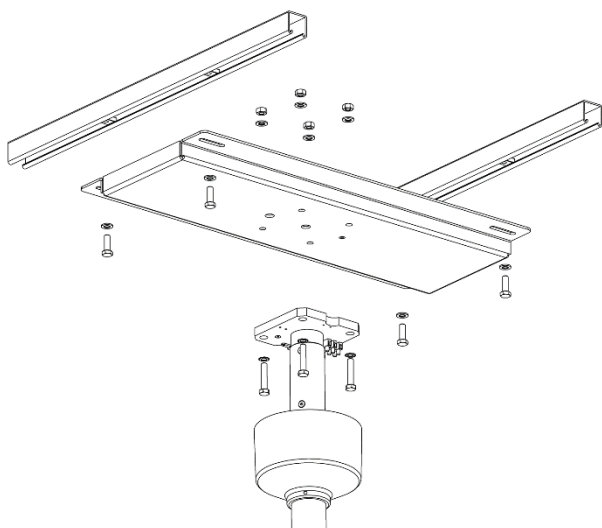


Technical information



Optional installation aid

Ceiling plate #300/P/004
 (shown with ceiling rails and ceiling column)



Weights, dimensions & ordering information

60 x 80 cm type 351 shield assembly **12 kg**
 Dual mount ceiling column (80 cm) **11 kg**
 Suspension arm **9 kg**
 Wall bracket **2 kg**
 Ceiling track **50 kg**
 Installation aid - Anchorage plate (#300/P/004) **15 kg**