

Overhead suspended lead acrylic shield

354/P/76-001 (76 cm x 61 cm centre mounted shield with patient contour corner cut-out, two-part suspension arm & 80 cm ceiling column)

Static mounted upper body protection

This 76 cm x 61 cm shield uses 0.5 mm equivalent lead acrylic (@150 kV) for effective protection to the upper body. The central mount system allows 360 degrees of rotation ensuring the shields corner cut-out can be effectively positioned over a patient. An optional 0.5 mm Pb equivalent curtain can be added to further reduce scatter emanating from the patient.

354 shield, 76 cm x 61 cm

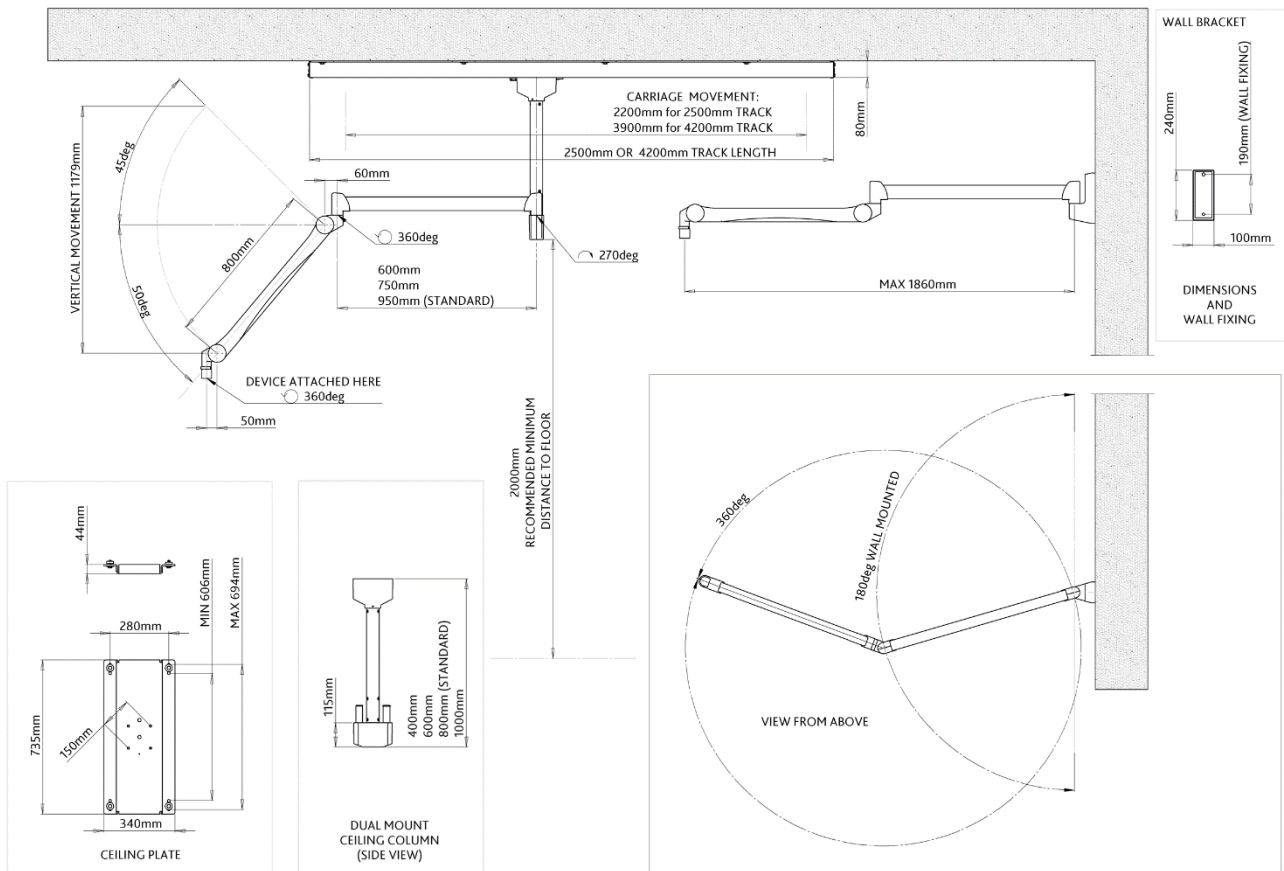
- > 76 cm x 61 cm shield with patient contour corner cut-out.
- > 0.5 mm equivalent lead acrylic (@150 kV).
- > Central mount system allowing 360 degrees of rotation.
- > Optional 0.5 mm Pb equivalent flexible curtain, fitted across the 61 cm lower profile (354/P/LR).

Stationary system

- > Connects to a two-part suspension arm, supported by an 80 cm ceiling column (see over – other lengths are available).
- > Optional installation aid #300/P/004 can be used to attach a column to Unistrut rails (or equivalent) in a suspended ceiling (see over).
- > Ceiling Column can be statically mounted to the ceiling or attached to a moveable carriage in a ceiling track (see over).



Technical information



Equipment weights & part numbers

354/P/76-001

76 x 61 cm type 354 shield assembly with corner cut-out: **9.5 kg**

Suspension arm: **10.4 kg**

80 cm dual mount ceiling column: **12.5 kg**

Optional equipment:

Dual mount ceiling column:

40 cm (#300/COLUMN/40): **10 kg**

60 cm (#300/COLUMN/60): **11.2 kg**

100 cm (#300/COLUMN/100): **14.7 kg**

Installation aids:

Ceiling mounting plate (#300/P/004): **14.8 kg**

Ceiling anchorage mount ((#300/P/012): **37 kg**

Ceiling void installation ((#300/P/014): **7.8 kg**

Ceiling track & carriage:

2.5 m (#3001/TC/250): **50 kg**

4.2 m (#3001/TC/420): **72 kg**

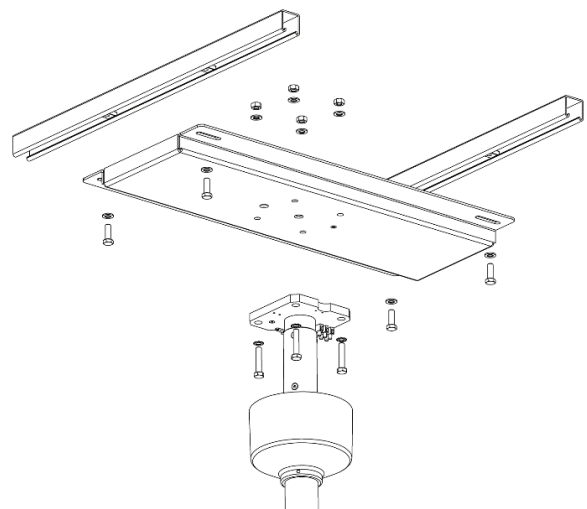
Track cable management:

2.5 m (#3001/TC/250/EC): **1.3 kg**

4.2 m (#3001/TC/420/EC): **1.7 kg**

Additional track carriage:

For use in 2.5 m or 4.2 m track (#3001/3.25): **4.6 kg**



Ceiling plate #300/P/004
 (Shown with ceiling rails and ceiling column)