

LED 150FP operating lamp

300/L-LED150FP (LED 150FP lamp with power supply and suspension arm)
For use with a Kenex ceiling mounted radiation shield

Focusable LED operating lamp

The LED 150FP is a small operating lamp with the advantage of variable focusing. The 130,000 Lux light intensity provides colour rendering indexes R_a 97 and R_9 97 (red). This enables a surgeon to clearly determine the smallest nuances in wound tissue colour and helps reduce eye fatigue. The LED technology used, ensures greatly reduced operating temperatures compared with traditional halogen bulbs, meaning temperature rise at the operator's head area is almost undetectable.

The multiple faceted lenses provide a homogenous light field. The light can be easily focused by turning the sterilisable handle, enabling illumination of the deepest wound. Both power, and light intensity are controlled from the lamp head.

Lamp features

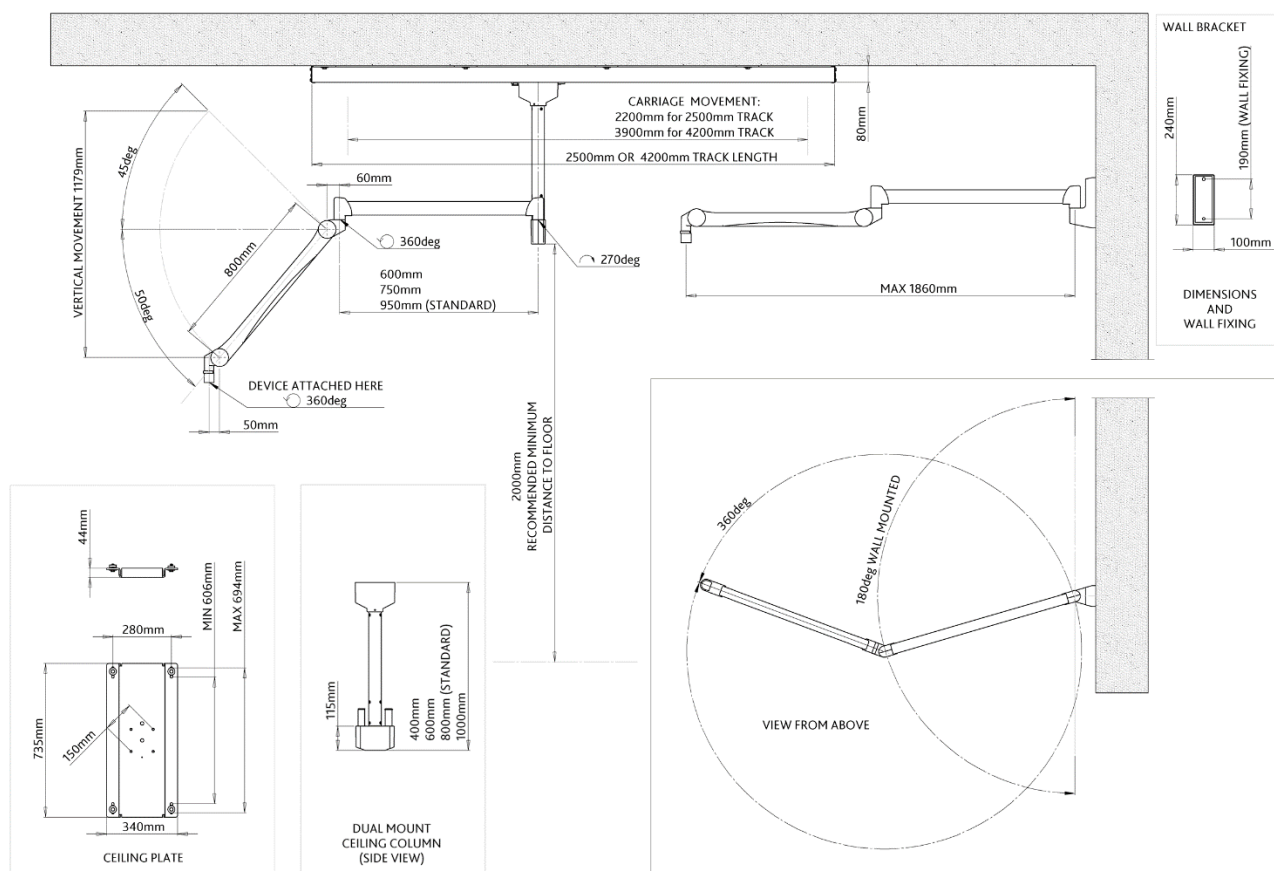
- > Light intensity at 1 metre: 130,000 Lux
- > Colour rendering index R_a 97
- > Colour rendering index R_9 97
- > Focusable light field size: 16 cm to 23 cm
- > Colour temperature: 4500 Kelvin
- > Temperature increase at head area: 0.5 °C
- > Total power consumption: 24W
- > Light source: 26 LED's
- > Electronic light intensity control at lamp head: 50% to 100%
- > Life span 60,000 hours
- > Diameter of lamp head: 40 cm
- > Detachable sterilizable handle included



Model 300/L-LED150FP is supplied with a two-part suspension arm allowing versatile movement. The arm can be mounted onto the spare pivot of a ceiling column (separately supplied) which carries a radiation shield. A ceiling column can be attached to a load bearing or suspended ceiling (different installation aids are available to suit differing site conditions – see over). Alternatively, a ceiling column can be directly attached to the movable carriage of a 2.5 m or 4.2 m ceiling track (available separately) with lamp cables contained and managed within a separately supplied flexible energy chain. These options enable the complete assembly to move into and out of the working area as required.



Technical specifications



Equipment weights & part numbers

300/L-LED150FP

Power supply in housing
 LED 150FP lamp head: **3.5 kg**
 Suspension arm: **10.4 kg**

Optional equipment:

Dual mount ceiling column:
 40 cm (#300/COLUMN/40): **10 kg**
 60 cm (#300/COLUMN/60): **11.2 kg**
 80 cm (#300/COLUMN-2): **12.5 kg**
 100 cm (#300/COLUMN/100): **14.7 kg**

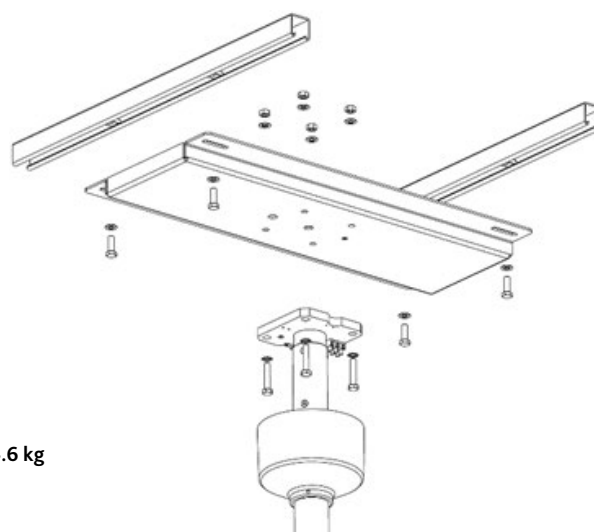
Ceiling track & carriage:
 2.5 m (#3001/TC/250): **50 kg**
 4.2 m (#3001/TC/420): **72 kg**

Track cable management:
 2.5 m (#3001/TC/250/EC) **1.3 kg**
 4.2 m (#3001/TC/420/EC) **1.7 kg**

Additional track carriage:
 For use in 2.5 m or 4.2 m track (#3001/3.25): **4.6 kg**

Wall mounting bracket:
 (#300/BRACKET/E) **2 kg**

Installation aids:
 Ceiling mounting plate (#300/P/004) **14.8 kg**
 Ceiling anchorage mount (#300/P/012) **37 kg**
 Ceiling void installation (#300/P/014) **7.8 kg**



Ceiling plate #300/P/004
 (Shown with ceiling rails and ceiling column)