



# LED 130F examination lamp

300/WL-LED130F (LED 130F lamp with power supply, suspension arm wall bracket)

## Focusable LED examination lamp

The LED 130F is a small examination lamp with the advantage of variable focusing. The 70,000 Lux light intensity provides colour rendering index  $R_a$  96. The multiple faceted lenses provide a homogenous light field which can be easily focused by turning the sterilisable handle.

Both power and light intensity are controlled from the lamp head. The LED technology used, ensures greatly reduced operating temperatures compared with traditional halogen bulbs, meaning temperature rise at the operator's head area is almost undetectable.

## Lamp features

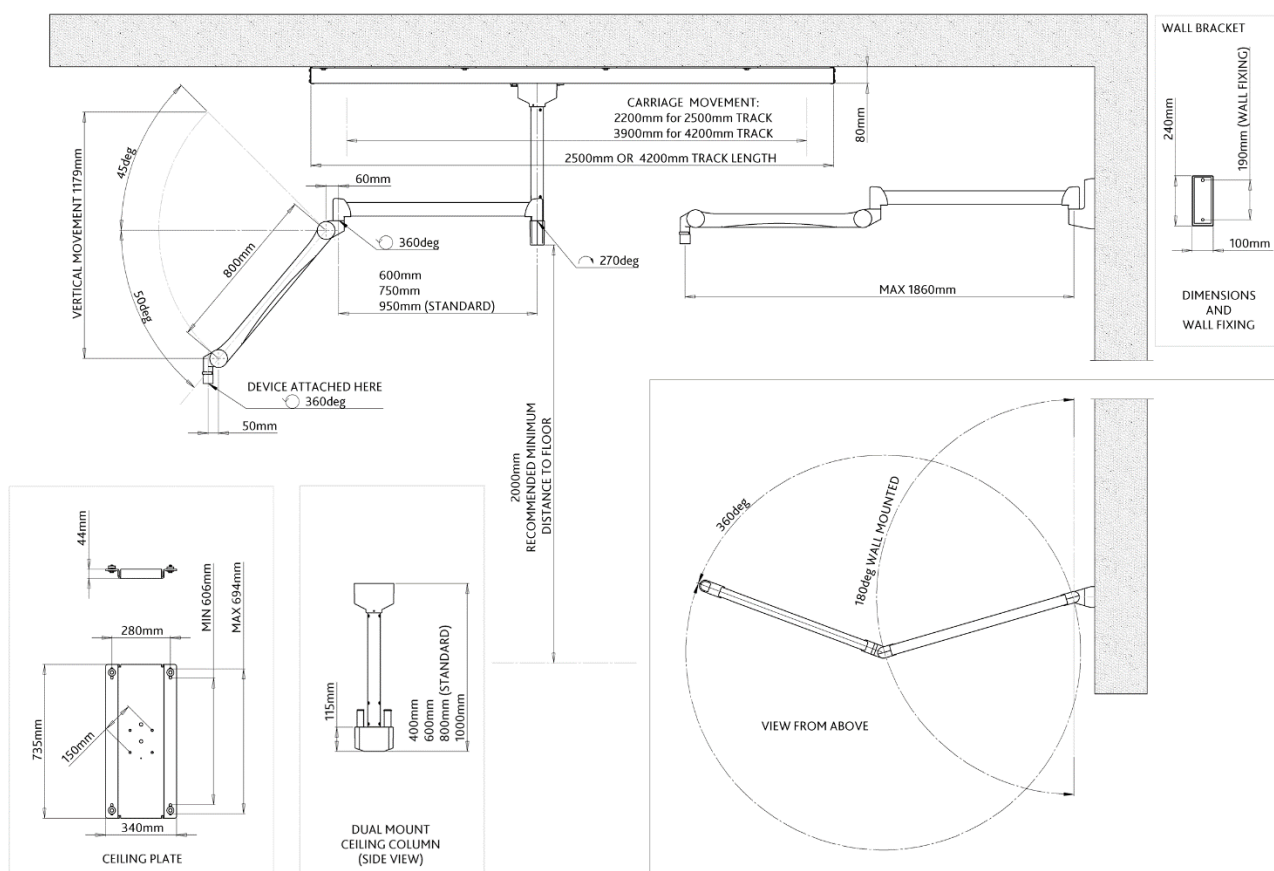
- > Light intensity at 1 metre: 70,000 Lux
- > Electronic light intensity control at lamp head: 50% to 100%
- > Colour rendering index  $R_a$  96
- > Focusable light field size: 13 cm to 19 cm
- > Colour temperature: 4500 Kelvin
- > Temperature increase at head area: 0.5 °C
- > Total power consumption: 16W
- > Light source: 19 LED's
- > Life span 60,000 hours
- > Diameter of lamp head: 33 cm
- > Detachable sterilizable handle included



Model 300/WL-LED130F is supplied with a two part suspension arm allowing versatile movement. A wall bracket is supplied for mounting the suspension arm.



## Technical specifications



## Equipment weights & part numbers

### 300/WL-LED130F

Power supply in housing  
LED 130F lamp head: **2.4 kg**  
Suspension arm: **10.4 kg**  
Wall mounting bracket: **2 kg**

### Optional equipment:

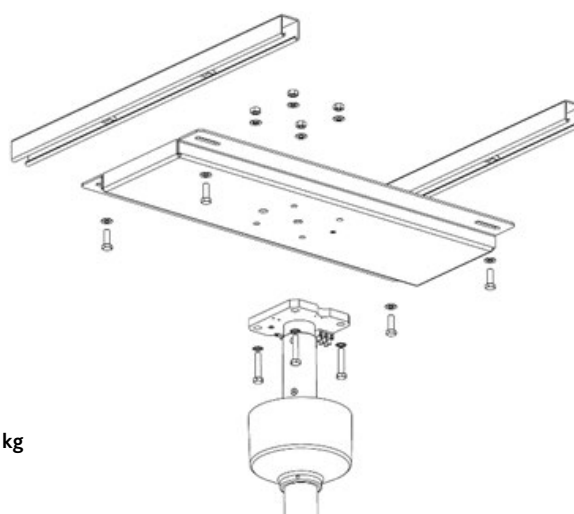
Dual mount ceiling column: 40 cm (#300/COLUMN/40): **10 kg**  
60 cm (#300/COLUMN/60): **11.2 kg**  
80 cm (#300/COLUMN-2): **12.5 kg**  
100 cm (#300/COLUMN/100): **14.7 kg**

Ceiling track & carriage: 2.5 m (#3001/TC/250): **50 kg**  
4.2 m (#3001/TC/420): **72 kg**

Track cable management: 2.5 m (#3001/TC/250/EC) **1.3 kg**  
4.2 m (#3001/TC/420/EC) **1.7 kg**

Additional track carriage: For use in 2.5 m or 4.2 m track (#3001/3.25): **4.6 kg**

Installation aids: Ceiling mounting plate (#300/P/004) **14.8 kg**  
Ceiling anchorage mount (#300/P/012) **37 kg**  
Ceiling void installation (#300/P/014) **7.8 kg**



Ceiling plate #300/P/004  
(Shown with ceiling rails and ceiling column)