



## LED 150FP operating Lamp

300/WL-LED150FP (LED 150FP lamp with power supply, suspension arm and wall bracket)

### Focusable LED examination lamp

The LED 150FP is a small operating lamp with the advantage of variable focusing. The 130,000 Lux light intensity provides colour rendering indexes  $R_a$  97 and  $R_9$  97 (red). This enables a surgeon to clearly determine the smallest nuances in wound tissue colour and helps reduce eye fatigue. The LED technology used, ensures greatly reduced operating temperatures compared with traditional halogen bulbs, meaning temperature rise at the operator's head area is almost undetectable.

The multiple faceted lenses provide a homogenous light field. The light can be easily focused by turning the sterilisable handle, enabling illumination of the deepest wound. Both power, and light intensity are controlled from the lamp head.

### Lamp features

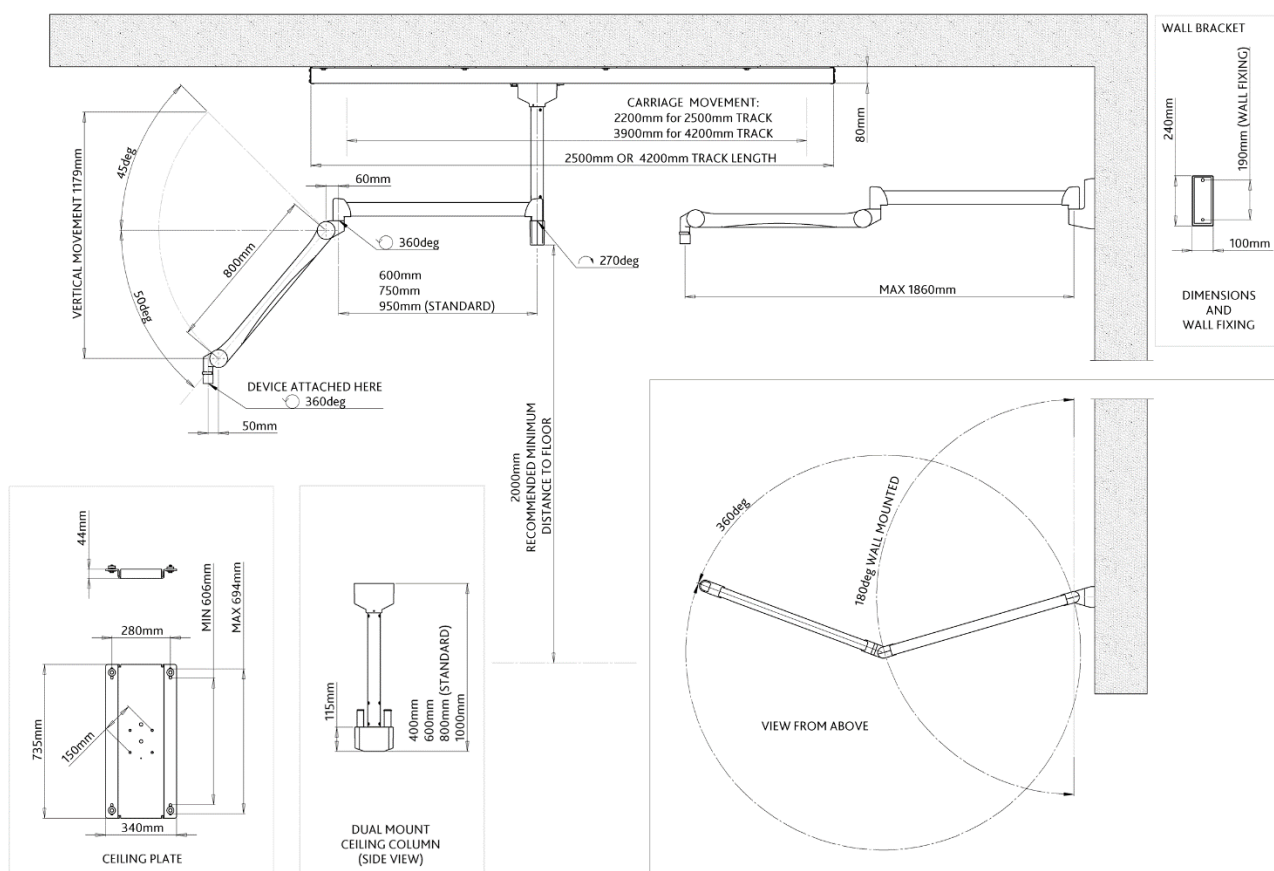
- > Light intensity at 1 metre: 130,000 Lux
- > Colour rendering index  $R_a$  97
- > Colour rendering index  $R_9$  97
- > Focusable light field size: 16 cm to 23 cm
- > Colour temperature: 4500 Kelvin
- > Temperature increase at head area: 0.5 °C
- > Total power consumption: 24W
- > Light source: 26 LED's
- > Electronic light intensity control at lamp head: 50% to 100%
- > Life span 60,000 hours
- > Diameter of lamp head: 40 cm
- > Detachable sterilizable handle included



Model 300/WL-LED150FP is supplied with a two-part suspension arm allowing versatile movement. A wall bracket is supplied for mounting the suspension arm.



## Technical specifications



## Equipment weights & part numbers

### 300/WL-LED150FP

Power supply in housing  
LED 150FP lamp head: **3.5 kg**  
Suspension arm: **10.4 kg**  
Wall mounting bracket: **2 kg**

### Optional equipment:

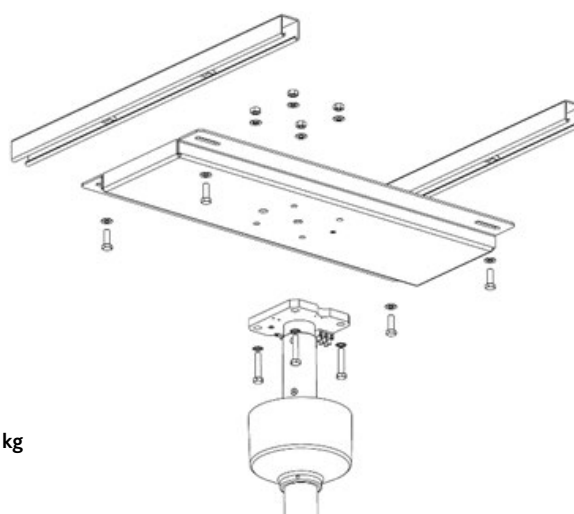
Dual mount ceiling column:  
40 cm (#300/COLUMN/40): **10 kg**  
60 cm (#300/COLUMN/60): **11.2 kg**  
80 cm (#300/COLUMN-2): **12.5 kg**  
100 cm (#300/COLUMN/100): **14.7 kg**

Ceiling track & carriage:  
2.5 m (#3001/TC/250): **50 kg**  
4.2 m (#3001/TC/420): **72 kg**

Track cable management:  
2.5 m (#3001/TC/250/EC) **1.3 kg**  
4.2 m (#3001/TC/420/EC) **1.7 kg**

Additional track carriage:  
For use in 2.5 m or 4.2 m track (#3001/3.25): **4.6 kg**

Installation aids:  
Ceiling mounting plate (#300/P/004) **14.8 kg**  
Ceiling anchorage mount (#300/P/012) **37 kg**  
Ceiling void installation (#300/P/014) **7.8 kg**



Ceiling plate #300/P/004  
(Shown with ceiling rails and ceiling column)