

LED 300DF SC surgical lamp

340/631/01 (LED 300DF SC lamp with power supply & suspension arm only)
For use with a Kenex ceiling mounted radiation shield

Single colour surgical LED lamp

Facetted multi-lens system A multitude of computer-calculated facetted lenses guarantees homogeneity with minimal shadow in the light field. Separately arranged optical systems, with one LED module, generate their own light field, which increases the contrast effect of the OT-light.

Merging of the individual luminous fields By turning the sterilizable handle the LED-clusters with 12 lenses each, swivel. The single light fields can be joined and overlap to create one field with increased light intensity.

Focusing By turning the adjustment ring on the sterilizable handle the light field diameter, created by the single LED clusters can be varied. This allows a punctual illumination of the deepest wound channels with high intensity and exact matching of the light field diameter with the size of the surgical requirement.

Lamp features

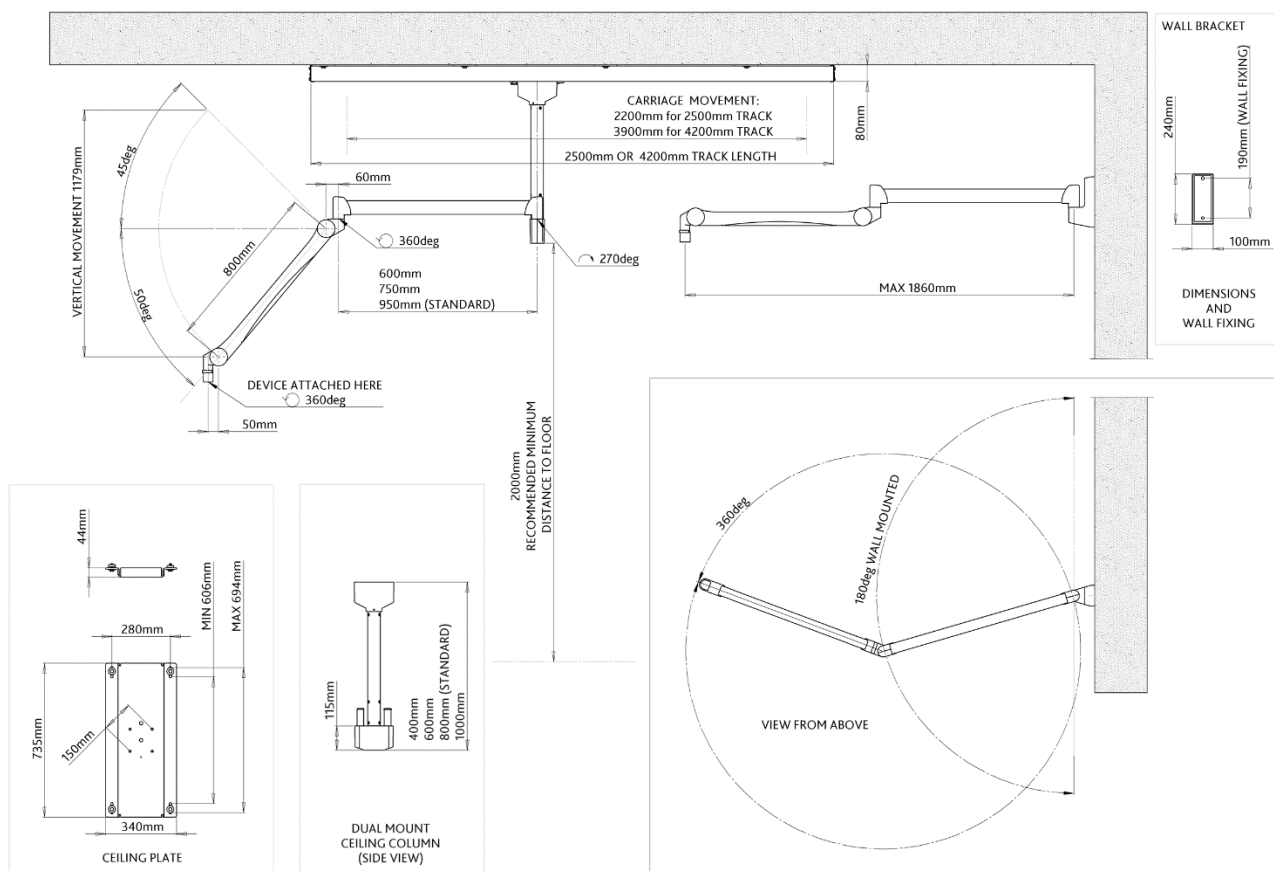
- > Light intensity at 1 metre: 160,000 Lux
- > Step less dimming (28% to 100%) with on/off switch at lamp head
- > Colour rendering index R_a 96
- > Focusable light field size: 19 cm to 26 cm
- > Colour temperature: 4500 Kelvin
- > Temperature increase at head area: 0.5 °C
- > Total power consumption: max 89W
- > Light source: 36 LED's
- > Life span, 60,000 hours
- > Diameter of lamp head: 55 cm
- > Detachable sterilizable handle included



Model 340/631/01 is supplied with a two-part suspension arm allowing versatile movement. The arm can be mounted onto the spare pivot of a ceiling column (separately supplied) which carries a radiation shield. A ceiling column can be attached to a load bearing or suspended ceiling (different installation aids are available to suit differing site conditions – see over). Alternatively, a ceiling column can be directly attached to the movable carriage of a 2.5 m or 4.2 m ceiling track (available separately) with lamp cables contained and managed within a separately supplied flexible energy chain. These options enable the complete assembly to move into and out of the working area as required.



Technical specifications



Equipment weights & part numbers

340/631/01

Power supply in housing
LED 300DF SC lamp head: **12 kg**
Suspension arm: **10.4 kg**

Optional equipment:

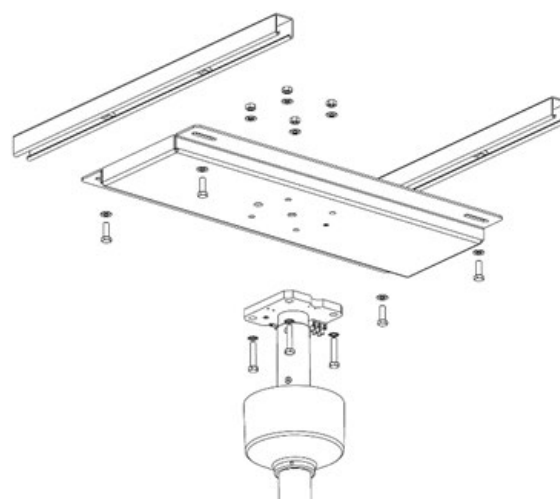
Dual mount ceiling column:
40 cm (#300/COLUMN/40): **10 kg**
60 cm (#300/COLUMN/60): **11.2 kg**
80 cm (#300/COLUMN-2): **12.5 kg**
100 cm (#300/COLUMN/100): **14.7 kg**

Ceiling track & carriage:
2.5 m (#3001/TC/250): **50 kg**
4.2 m (#3001/TC/420): **72 kg**

Track cable management:
2.5 m (#3001/TC/250/EC) **1.3 kg**
4.2 m (#3001/TC/420/EC) **1.7 kg**

Additional track carriage:
For use in 2.5 m or 4.2 m track (#3001/3.25): **4.6 kg**

Installation aids:
Ceiling mounting plate (#300/P/004) **14.8 kg**
Ceiling anchorage mount (#300/P/012) **37 kg**
Ceiling void installation (#300/P/014) **7.8 kg**



Ceiling mounting plate #300/P/004
(Shown with ceiling rails and ceiling column)