

LED 6MC operating lamp

610/530/03 (LED 6MC surgical lamp with power supply, suspension arm and ceiling column)

Multi colour surgical lamp

Almost perfect colour rendition

With almost perfect colour rendition values of Ra = 98 and R9 (red) = 99, you can easily discern the finest colour nuances in tissue. To also recognise the different red tones of the wound area, an exact rendition of the red colour range is essential. Rendering index R9 (red) = 99 means the surgeon recognises details much more easily. The colour spectrum of the wound area appears natural with rich contrast. The OT-light is also noticeably more comfortable for the eyes. The colour spectrum of the wound area appears natural with rich contrast.

Outstanding depth illumination

One of the highlights of the new Mach LED 6MC is the cascade system. Different lens types are used in this system. These lenses have their focusing at 70, 100 and 130 cm. As a result, a vertical focusing of the light beam throughout the depth of the wound canal can be achieved. Thus, the surgeon no longer needs to manually re-adjust the light when the depth of the operating field increases.

Antibacterial coating

For maximum hygiene in the operating theatre, the new generation of surgical lights have a closed, easy-to-clean surface. In addition, they have an antimicrobial coating that prevents the growth of microorganisms and thus helps to avoid infections.

Lamp features

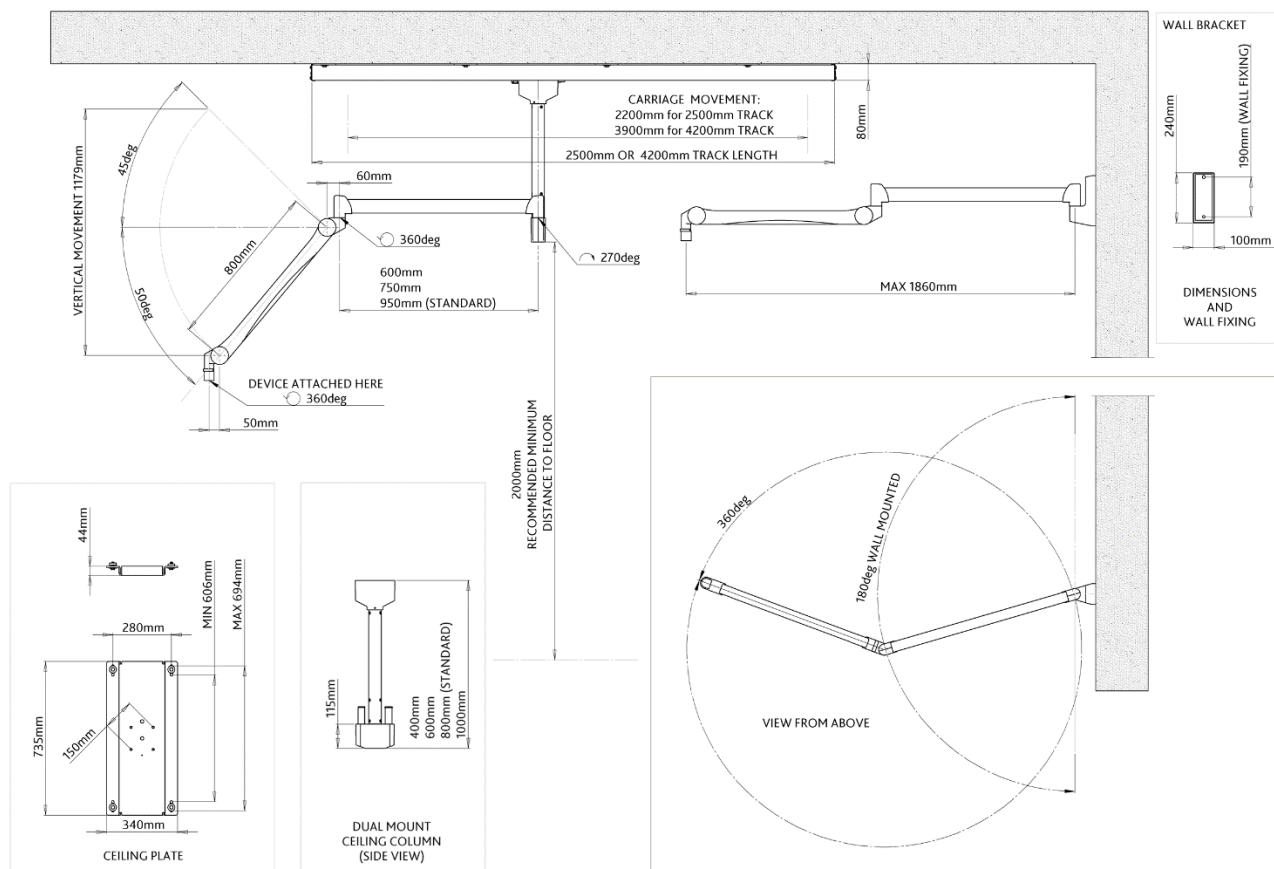
- > Colour rendering index Ra 98
- > Focusable light field size: 18 cm to 30 cm
- > Light intensity at 1 metre distance: 140,000 Lux
- > Working distance: 70 cm to 160 cm
- > Colour temperature adjustable: 3750, 4000, 4250, 4500, 4750 Kelvin
- > Temperature increase at head area: 0.5°C
- > Total power consumption: max 89W
- > Light source: 69 LED's
- > Life span 60,000 hours
- > Electronic light intensity control at lamp head: 5% to 100%
- > Diameter of lamp head: 58 cm
- > Laser pointer (optionally available)
- > Wall panel control (optionally available)
- > Camera & video enabled (optionally available)
- > Detachable sterilizable handle included



Model 610/530/03 is supplied with a two-part suspension arm allowing versatile movement, which is mounted onto an 80 cm ceiling column (other lengths available). The column can be attached to a load bearing or suspended ceiling (different installation aids are available to suit differing site conditions – see over). Alternatively, the column can be directly attached to the movable carriage of a 2.5 m or 4.2 m ceiling track (available separately) with lamp cables contained and managed within a separately supplied flexible energy chain. These options enable the complete assembly to move into and out of the working area as required. The spare pivot of the ceiling column can carry a Kenex radiation shield (available separately).



Technical specifications



Equipment weights & part numbers

610/530/03

Power supply in housing
LED 6MC lamp head: **16.9 kg**
Suspension arm: **10.4 kg**
80 cm dual mount ceiling column: **12.5 kg**

Optional equipment:

Dual mount ceiling column:
40 cm (#300/COLUMN/40): **10 kg**
60 cm (#300/COLUMN/60): **11.2 kg**
100 cm (#300/COLUMN/100): **14.7 kg**

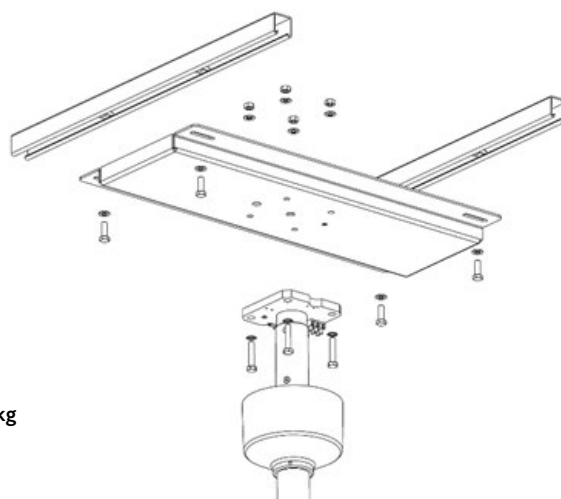
Ceiling track & carriage:
2.5 m (#3001/TC/250): **50 kg**
4.2 m (#3001/TC/420): **72 kg**

Track cable management:
2.5 m (#3001/TC/250/EC) **1.3 kg**
4.2 m (#3001/TC/420/EC) **1.7 kg**

Additional track carriage:
For use in 2.5 m or 4.2 m track (#3001/3.25): **4.6 kg**

Wall mounting bracket:
(#300/BACKET/E) **2 kg**

Installation aids:
Ceiling mounting plate (#300/P/004) **14.8 kg**
Ceiling anchorage mount (#300/P/012) **37 kg**
Ceiling void installation (#300/P/014) **7.8 kg**



Ceiling plate #300/P/004
(Shown with ceiling rails and ceiling column)