

Lower body x-ray shields

312/DS-006 & 312/DS-007

Table mounted shield (with optional detachable top shields)

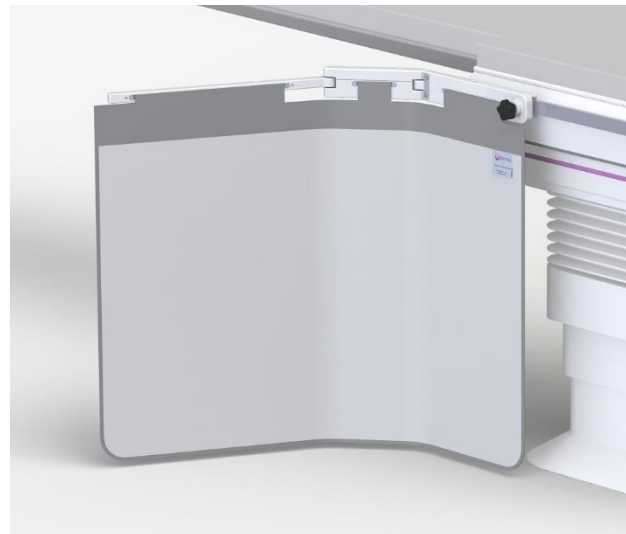
This lower body shield reduces exposure to scatter radiation emanating from the table or patient's body. It comprises a lightweight and durable structure, with middle link and pivotal arm supporting a flexible lead curtain. Optional semi-flexible top shields (included with 312/DS-007) provide additional protection to the upper body.

Features

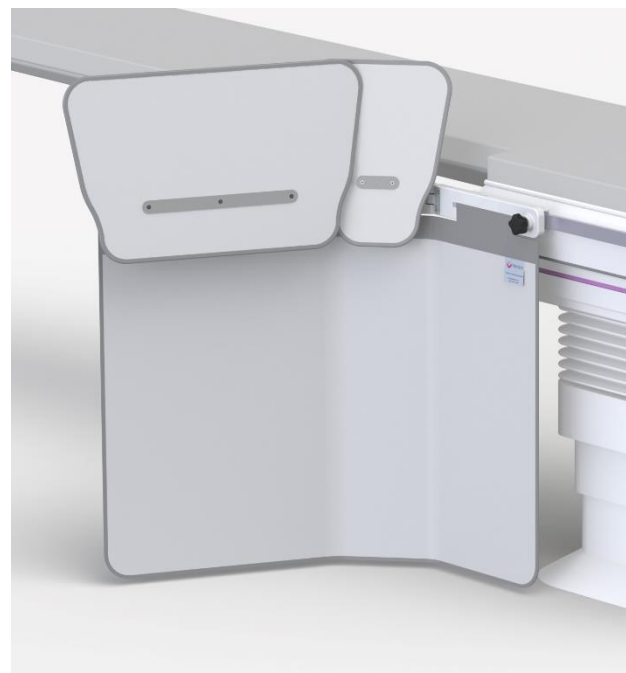
- > The shield easily mounts to either side of the table allowing the pivotal arm to always face the head end.
- > A 29 cm wide attachment bracket can be easily adjusted to slide onto a 25 mm or 29 mm tableside accessory rail (maximum 11 mm thick).
- > The heavy duty middle link has an automatic wear adjustment facility ensuring accurate joint friction which prevents unwanted curtain movement even when the table is tilted in any direction.
- > The curtain measures 92 cm wide x 70 cm high providing a safe zone of occupancy for the Radiologist (or Cardiologist).
- > The curtain forms around an under table x-ray tube without impeding movement.
- > The curtain's inner 0.5 mm lead equivalent layer is bonded to its outer covering. As the protective layer is not suspended separately in a cover (bag), it cannot tear or fall away inside unnoticed.
- > The pivotal arm and middle link can swivel outwards from the table side to form a 46 cm or 63 cm wing, or inwards to conform to the shape of the table.

Optional top shields

- > Optional detachable tops (as shown) overlap one another to provide protection to the upper body.
- > A 57 cm wide top (312/DS/3.32) attaches to the pivotal arm, accompanied by a 27 cm wide top (312/DS/3.30) on the middle link.
- > Each of the top shields is constructed using polypropylene reinforcing sheets to provide flexible yet stable movement towards the patient.
- > Each can be quickly removed to aid patient access.
- > The x-ray attenuating material used in the optional tops has a lead equivalent of 0.5 mm.
- > The shield and separate tops are available as a single product (312/DS-007).



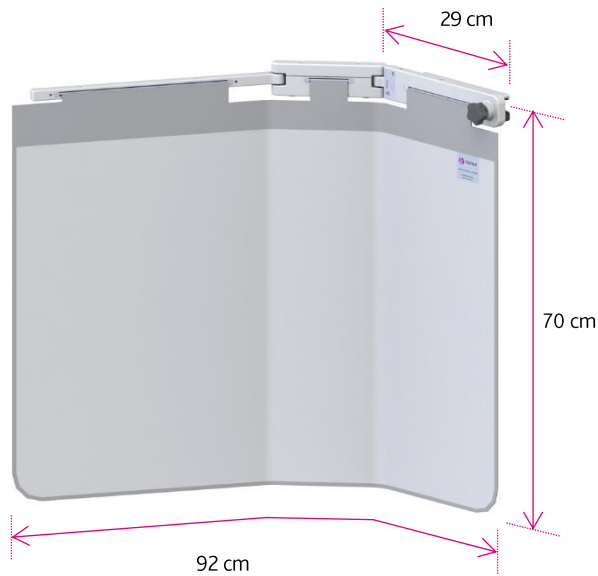
312/DS-006



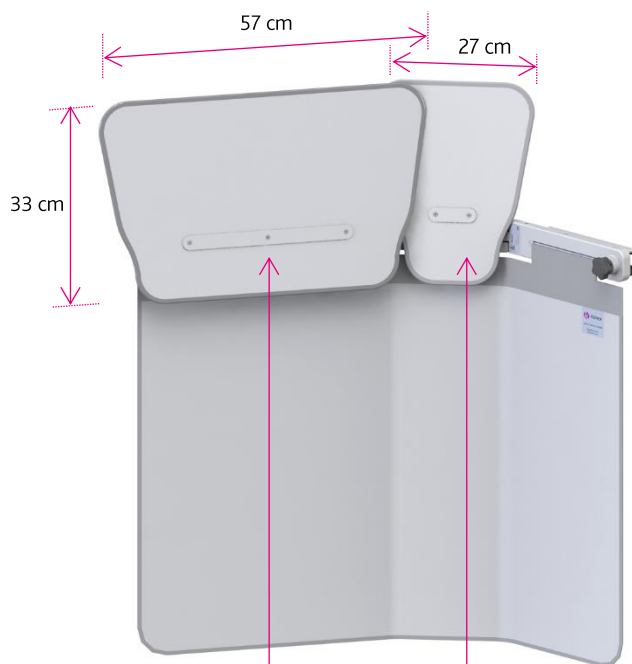
312/DS-007

Weights, dimensions & ordering information

Weights and dimensions are subject to manufacturing tolerance



312/DS-006
Weight: 7.2 kg



312/DS/3.32
57 cm top shield
Weight: 2.2 kg

312/DS/3.30
27 cm top shield
Weight: 0.9 kg

312/DS-007
Weight: 10.3 kg

Comprising: -

- 1 x 312/DS-006
Primary shield
- 1 x 312/DS/3.32
57cm wide detachable top shield
- 1 x 312/DS/3.30
27cm wide detachable top shield

TIP

For continuity of protection, use the lower body shield with a Kenex overhead suspended see-through upper body shield.