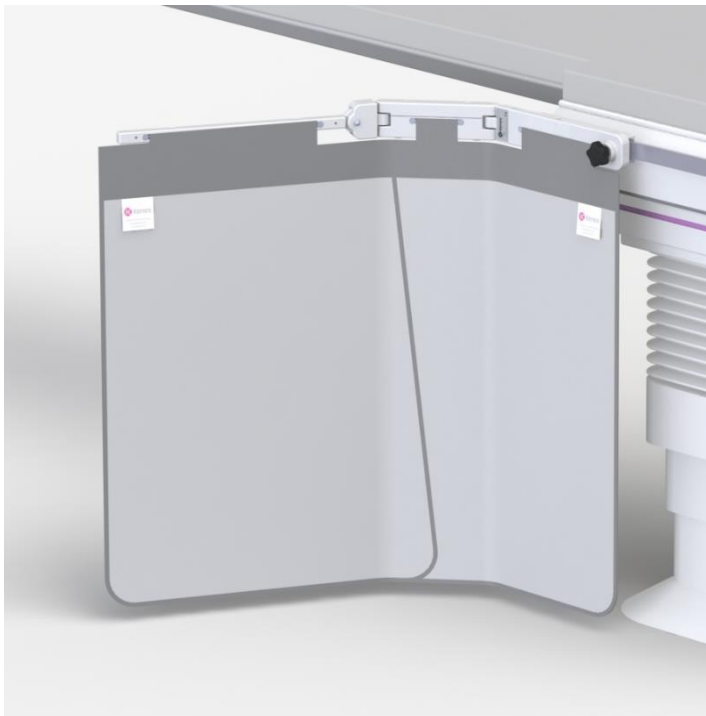


92 cm wide lower body x-ray shield (with patented collision tolerant pivotal arm)

312/DS-008 for use on 25 mm or 28.6 mm tableside rails

Table mounted shield

This lower body shield substantially reduces exposure to scatter radiation emanating from the table or patient's body. The shield comprises a lightweight and durable structure, with enhanced friction maintaining middle link and pivotal arm supporting a flexible lead curtain. A unique patented mechanism enables the pivotal arm to move up when in collision with C-arm equipment. Optional semi-flexible top shields provide additional protection to the upper body, which can be quickly removed to ease patient transfer/access and can be stored on an optionally available wall rack.



Features

- > The shield easily mounts to either side of the table allowing the pivotal arm to always face the head end.
- > The 57 cm and two 27 cm wide lift-off tops provide additional upper body protection.
- > A 29 cm wide attachment bracket slides onto a 25 mm high or 28.6 mm high tableside rail (max. 11 mm thick).
- > The heavy duty middle link has an automatic wear adjustment facility ensuring accurate joint friction which prevents unwanted curtain movement even when the table is tilted in any direction.

Flexible x-ray protective curtain

- > The curtain forms a large (92 cm wide x 75 cm high) safe zone of occupancy for the Radiologist (or Cardiologist).
- > The curtain forms around an under table x-ray tube without impeding movement.
- > The curtain's inner 0.5 mm lead equivalent layer is bonded to its outer covering. As the protective layer is not suspended separately in a cover (bag), it cannot tear or fall away inside unnoticed.
- > The pivotal arm and middle link can swivel outwards from the table side to form a 46 cm or 63 cm wing, or inwards to conform to the shape of the table.

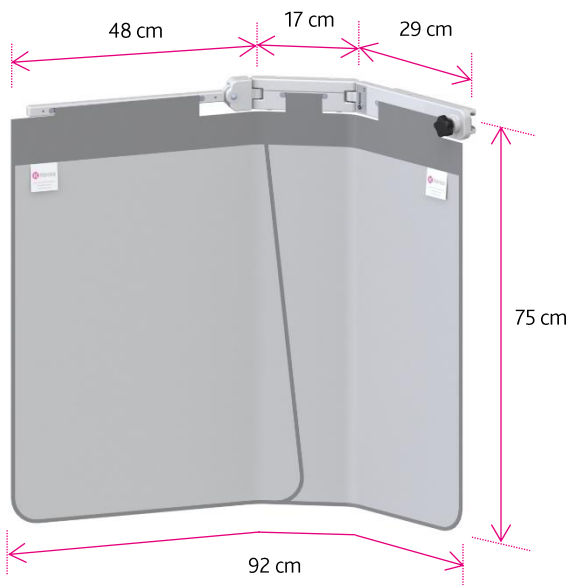


Optional top shields and storage

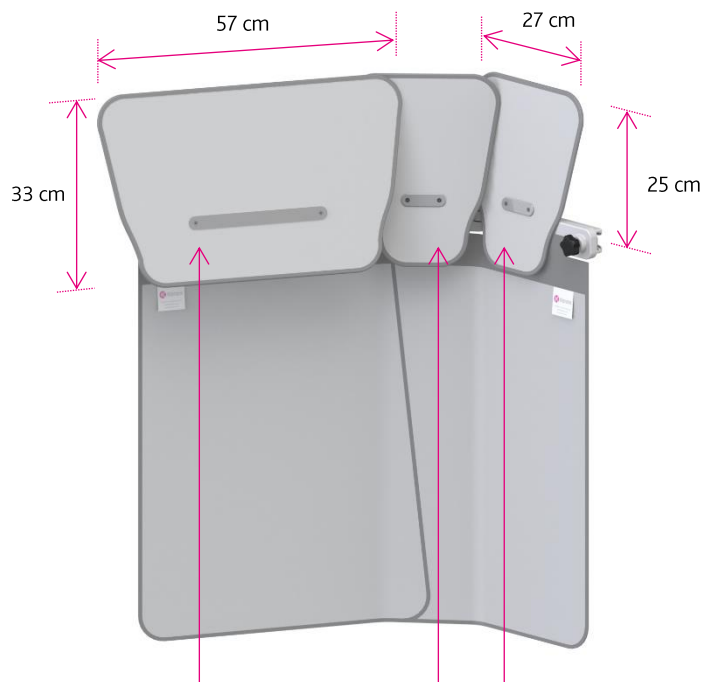
- > Detachable top shields (as shown) overlap to provide additional protection (92 cm wide) to the upper body.
- > These semi-flexible tops stand above the table and can be moved towards the patient as required.
- > Each top shield can be quickly removed to aid patient access.
- > A 57 cm wide fold-down/lift-off top (#312/DS/3.115) attaches to the pivotal arm, accompanied by two 27 cm wide tops (#312/DS/3.30) on the middle link and attachment bracket.
- > The x-ray attenuating material used in all tops has a lead equivalence of 0.5mm.
- > Wall mounted or mobile storage racks:
 - 312/W-LB wall rack for 1 x lower body shield
 - 312/W-TOP wall rack for 1 x 57 cm and 2 x 27 cm wide tops
 - 1342/A2 mobile rack options

Weights, dimensions & ordering information

Weights and dimensions are subject to manufacturing tolerance



312/DS-008
Weight: 8.33 kg



Optional
fold-down/lift-off top shield
312/DS/3.115
Weight: 2.9 kg
OR
Optional lift-off
top shield
312/DS/3.32
Weight: 2.2 kg

Optional top shields
312/DS/3.30
Weight: 0.9 kg