

# 137 cm wide lower body x-ray shield

(with patented collision tolerant pivotal arm & deep attachment bracket allowing transverse table movement)

312/DS-060/1/3 (137 cm wide shield with 1 x 57 cm fold-down top & 2 x 27 cm lift-off tops)

Supplied with:

1 off 25 mm x 10 mm x 65 cm long integrated accessory rail (fitted)

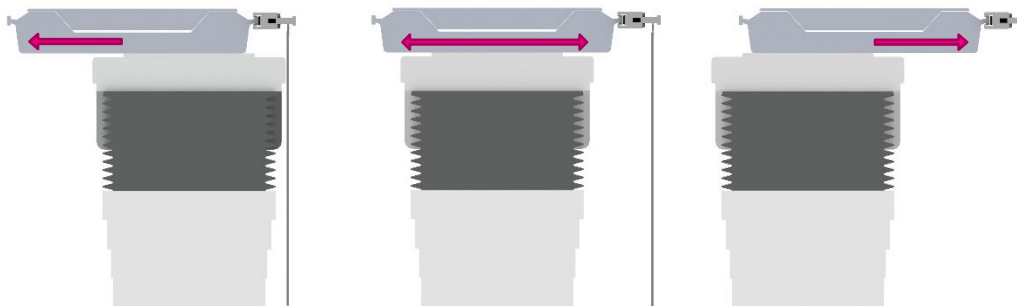
1 off 28.6 mm x 9.5 mm x 65 cm long integrated accessory rail



## Table mounted shield with 65 cm integrated accessory rail

This shield substantially reduces exposure to scatter radiation from the table or patient's body. The shield uses a lightweight and durable structure (with friction maintaining middle link) and pivotal arm supporting a flexible lead curtain. A patented mechanism enables the pivotal arm to move up if in collision with C-arm equipment. Semi-flexible top shields provide protection to the upper body which can be quickly removed to ease patient transfer and access and can be stored on an optionally available wall rack.

The design ensures the shield can remain securely attached to the table side rail regardless of lateral table movement (see below).



## Features

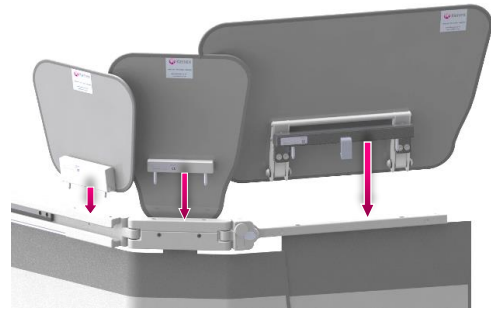
- > The shield easily mounts to either side of the table allowing the pivotal arm to always face the head end.
- > A 72 cm wide attachment bracket slides onto a 25 mm high or 28.6 mm high table side rail (maximum 11 mm thick). The securing handle position allows the shield to overhang the rail end and be repositioned further along the table if required.
- > The heavy-duty friction maintaining middle link prevents unwanted curtain movement even when the table is tilted in any direction.
- > Equipment controls can be mounted on the large integrated rail and grouped with others close by on the adjacent table side rail.

## Flexible x-ray protective curtain

- > The curtains form a large, safe zone of occupancy (for a Radiologist or Cardiologist) and another person standing nearby.
- > The curtains form around an under-table x-ray tube without impeding movement.
- > The curtain's inner 0.5 mm lead equivalent layer is bonded to its outer covering. As the protective layer is not suspended separately in a cover (bag), it cannot tear or fall away inside unnoticed.
- > The pivotal arm and middle link can swivel outwards from the table side to form a 48 cm or 65 cm wing, or inwards to conform to the shape of the table.

## Top shields and storage

- > Detachable top shields (as shown) overlap to provide additional protection (92 cm wide) to the upper body.
- > These semi-flexible tops stand above the table and can be moved towards the patient as required.
- > Each top shield can be quickly removed to aid patient access (including the fold-down top).
- > A 57 cm wide fold-down top (#312/DS/3.115) attaches to the pivotal arm, accompanied by a 27 cm wide top (#312/DS/3.30) on the middle link and an adjacent, shorter 27 cm wide top (#312/DS/3.122) on the attachment bracket.
- > The x-ray attenuating material used in all tops has a lead equivalence of 0.5mm.
- > Wall mounted or mobile storage racks:  
312/W-LB wall rack for 1 x lower body shield  
312/W-TOP wall rack for 1 x 57 cm and 2 x 27 cm wide tops  
1342/A2 mobile rack options



Rear of shield – showing how tops attach



Front of shield – showing 57 cm top folded down

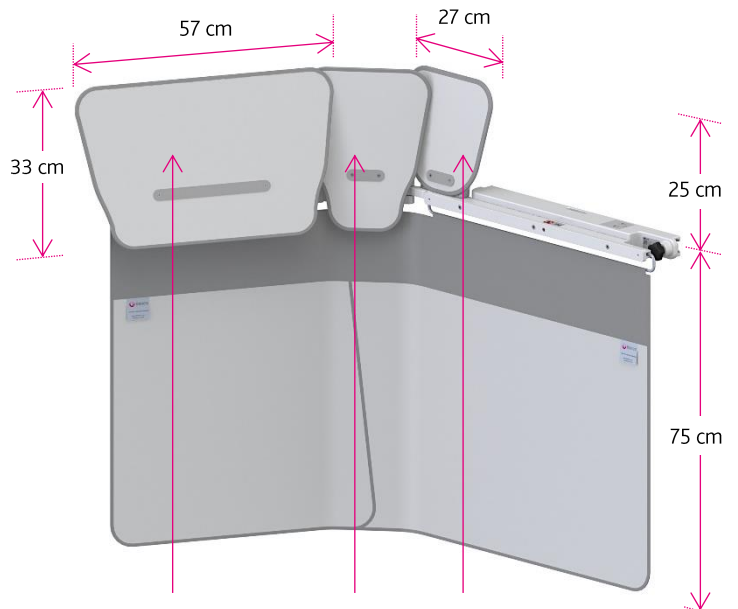
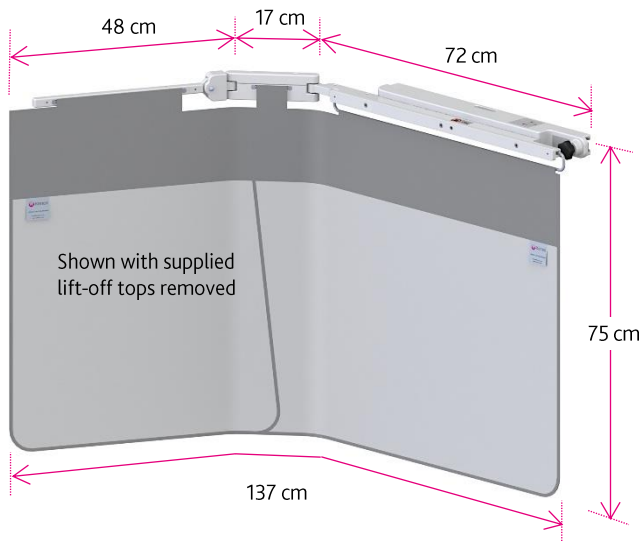
## Weights, dimensions & ordering information

Weights and dimensions are subject to manufacturing tolerance

### 312/DS-060/1/3 comprising: -

- 1 x 89 cm main element with fitted equipment rail (additional rail 0.45 kg)
- 1 x 48 cm pivoting element
- 1 x 57 cm fold-down / lift-off top
- 2 x 27 cm lift-off tops

**Total weight: 19.5 kg**



Top shield  
312/DS/3.115  
Weight: 2.9 kg

Top shield  
312/DS/3.30  
Weight: 0.9 kg

Top shield  
312/DS/3.122  
Weight: 0.9 kg

- Integrated rail for equipment controls:
- 25 mm x 10 mm x 65 cm (supplied & fitted)
  - 28.6 mm x 9.5 mm x 65 cm (supplied)

