

# Mobile LED 150FP operating lamp

150/530/1300 (LED 150FP lamp with power supply, suspension arm and 4 leg mobile base)

## Focusable LED operating lamp

The LED 150FP is a small operating lamp with the advantage of variable focusing. The 130,000 Lux light intensity provides colour rendering indexes  $R_a$  above 96 and  $R_9$  (red) above 95. This enables a surgeon to clearly determine the smallest nuances in wound tissue colour and helps reduce eye fatigue. The LED technology used, ensures greatly reduced operating temperatures compared with traditional halogen bulbs, meaning temperature rise at the operator's head area is almost undetectable.

The multiple faceted lenses provide a homogenous light field. The light can be easily focused by turning the sterilisable handle, enabling illumination of the deepest wound. Both power, and light intensity are controlled from the lamp head.

## Features

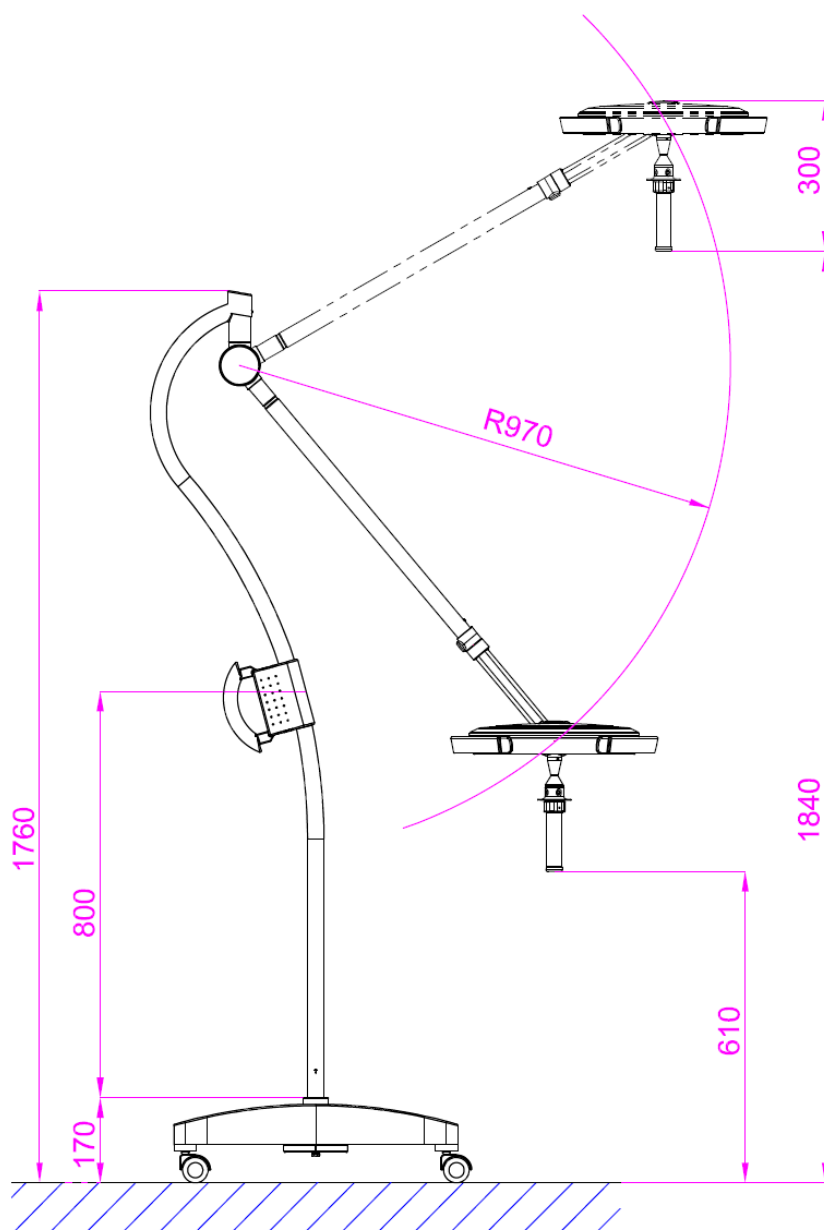
- > Light intensity at 1 metre: 130,000 Lux
- > Colour rendering index  $R_a$  96
- > Colour rendering index  $R_9$  96
- > Focusable light field size: 17 cm to 24 cm
- > Colour temperature: 4500 Kelvin
- > Temperature increase at head area: 0.5 °C
- > Total power consumption: 24W
- > Light source: 26 LED's
- > Electronic light intensity control at lamp head: 50% to 100%
- > Life span 60,000 hours
- > Diameter of lamp head: 40 cm
- > Detachable sterilizable handle included





Operating lamps

## Technical specifications



### Included:

- Power supply
- LED 150FP lamp head
- Suspension arm
- Four castor mobile base and suspension arm support



Kenex (Electro-Medical) Ltd  
Unit 17, RO24 Greenway, Harlow Business Park, Harlow, Essex CM19 5QB, England  
T: +44 (0)1279 417241 F: +44 (0)1279 443749 E: kenex@kenex.co.uk www.kenex.co.uk

150/530/1300 iss1 (2023/03/28)