

# LED 150MC operating Lamp

300/WL-LED150MC (LED 150MC lamp with power supply, suspension arm wall bracket)

## Multi colour LED operating lamp

The LED 150MC is a small, fixed focus operating lamp. The 110,000 Lux light intensity provides colour rendering indexes  $R_a$  97 and  $R_9$  90 (red). This enables a surgeon to clearly determine the smallest nuances in wound tissue colour and helps reduce eye fatigue. The LED technology used, ensures greatly reduced operating temperatures compared with traditional halogen bulbs, meaning temperature rise at the operator's head area is almost undetectable. Both power, and light intensity are controlled from the lamp head.

### Lamp features

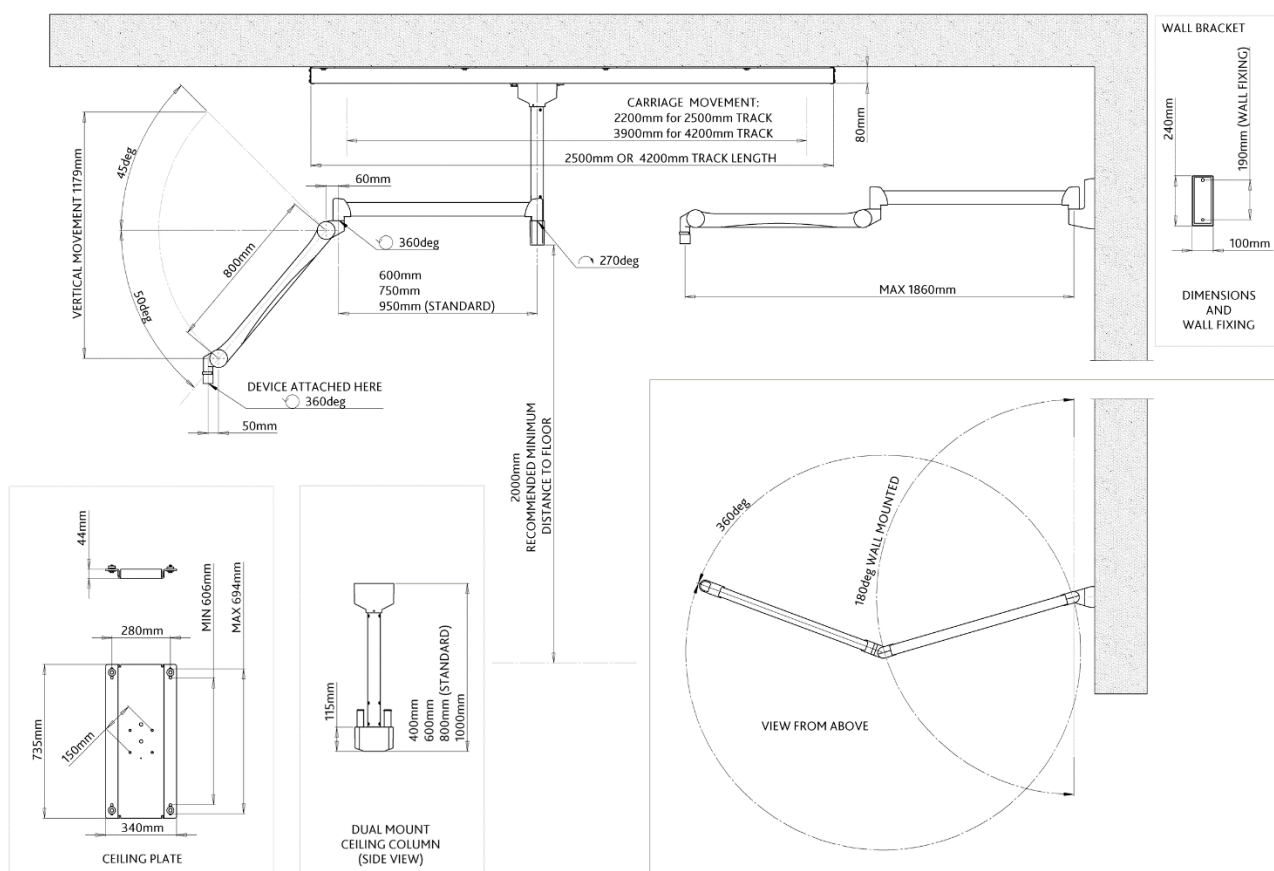
- > Light intensity at 1 metre: 110,000 Lux
- > Colour rendering index  $R_a$  97
- > Colour rendering index  $R_9$  90
- > Light field diameter: 21 cm
- > Colour temperature: 3750, 4000, 4250, 4500 & 4750 Kelvin
- > Temperature increase at head area: 0.5 °C
- > Total power consumption: 24W
- > Light source: 26 LED's
- > Electronic light intensity control at lamp head: 50% to 100%
- > Life span 60,000 hours
- > Diameter of lamp head: 40 cm
- > Detachable sterilizable handle included



Model 300/WL-LED150MC is supplied with a two-part suspension arm allowing versatile movement. A wall bracket is supplied for mounting the suspension arm.



## Technical specifications



## Equipment weights & part numbers

### 300/WL-LED150MC

Power supply in housing  
LED 150MC lamp head: **3.5 kg**  
Suspension arm: **10.4 kg**  
Wall mounting bracket: **2 kg**

### Optional equipment:

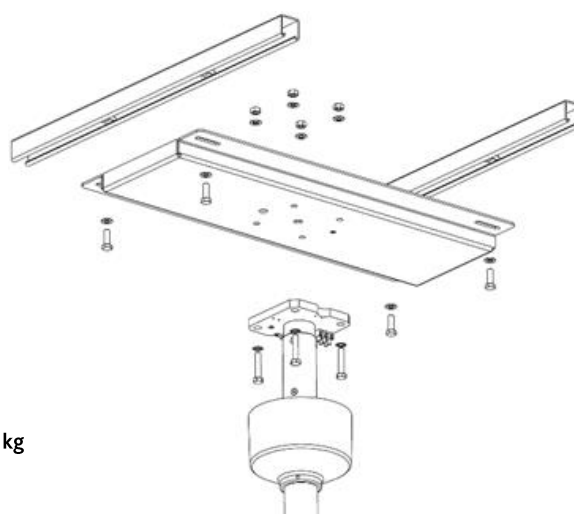
Dual mount ceiling column:  
40 cm (#300/COLUMN/40): **10 kg**  
60 cm (#300/COLUMN/60): **11.2 kg**  
80 cm (#300/COLUMN-2): **12.5 kg**  
100 cm (#300/COLUMN/100): **14.7 kg**

Ceiling track & carriage:  
2.5 m (#3001/TC/250): **50 kg**  
4.2 m (#3001/TC/420): **72 kg**

Track cable management:  
2.5 m (#3001/TC/250/EC) **1.3 kg**  
4.2 m (#3001/TC/420/EC) **1.7 kg**

Additional track carriage:  
For use in 2.5 m or 4.2 m track (#3001/3.25): **4.6 kg**

Installation aids:  
Ceiling mounting plate (#300/P/004) **14.8 kg**  
Ceiling anchorage mount (#300/P/012) **37 kg**  
Ceiling void installation (#300/P/014) **7.8 kg**



Ceiling plate #300/P/004  
(Shown with ceiling rails and ceiling column)